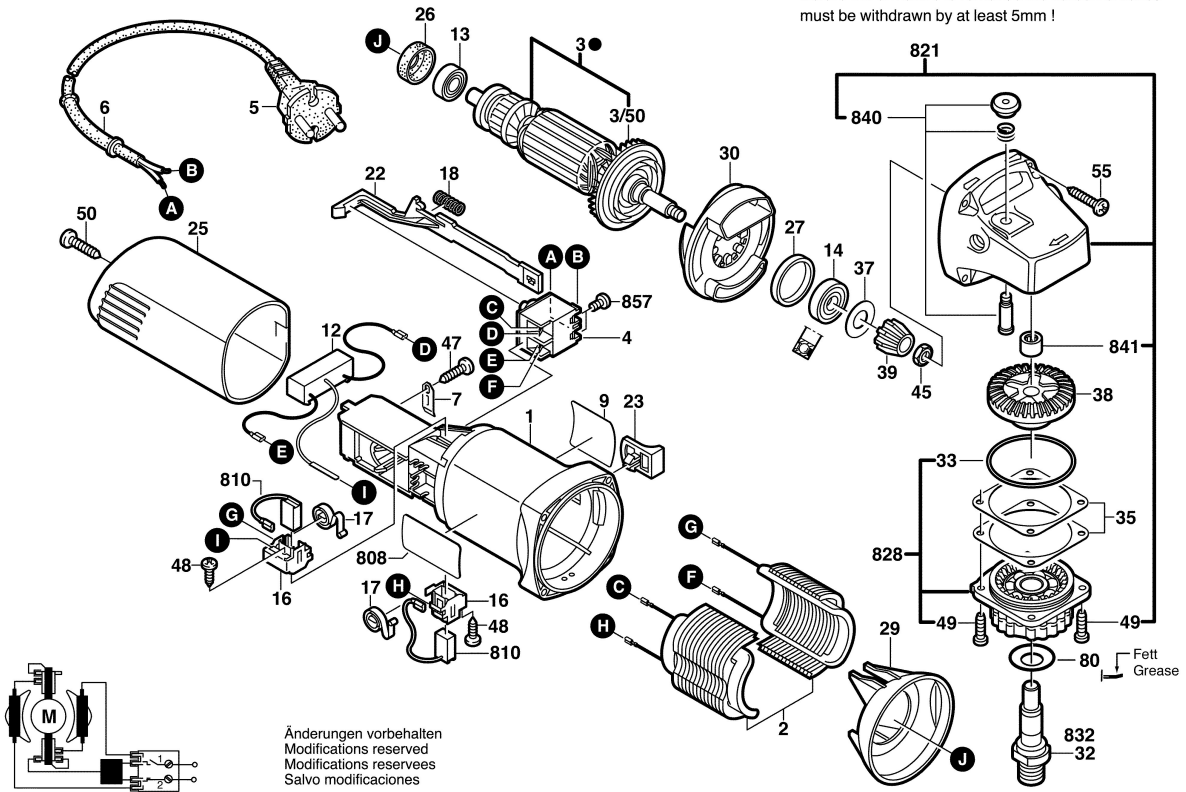


F 015 913 3A6
 Stand 08-07-31
 Issue

Fig./Abb. 1

Gerad - Verzahnung

● Vor Demontage des Ankers
 Kohlebürsten 5mm zurückziehen !
 Before the armature is removed the carbon brushes
 must be withdrawn by at least 5mm !



F 015 913 3A6
 Stand 08-07-31
 Issue

Fig./Abb. 2

