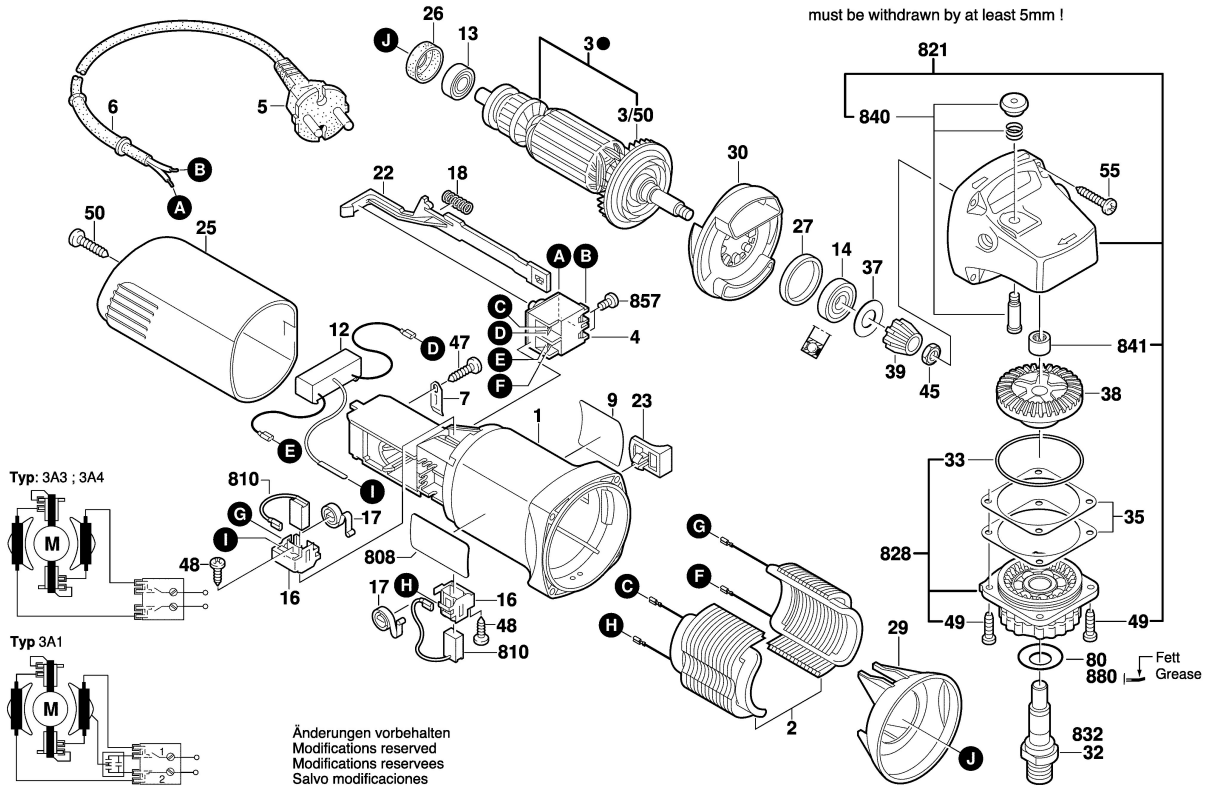


F 015 913 3A4
 Stand | 08-07
 Issue | 11-11-10

Fig./Abb. 1

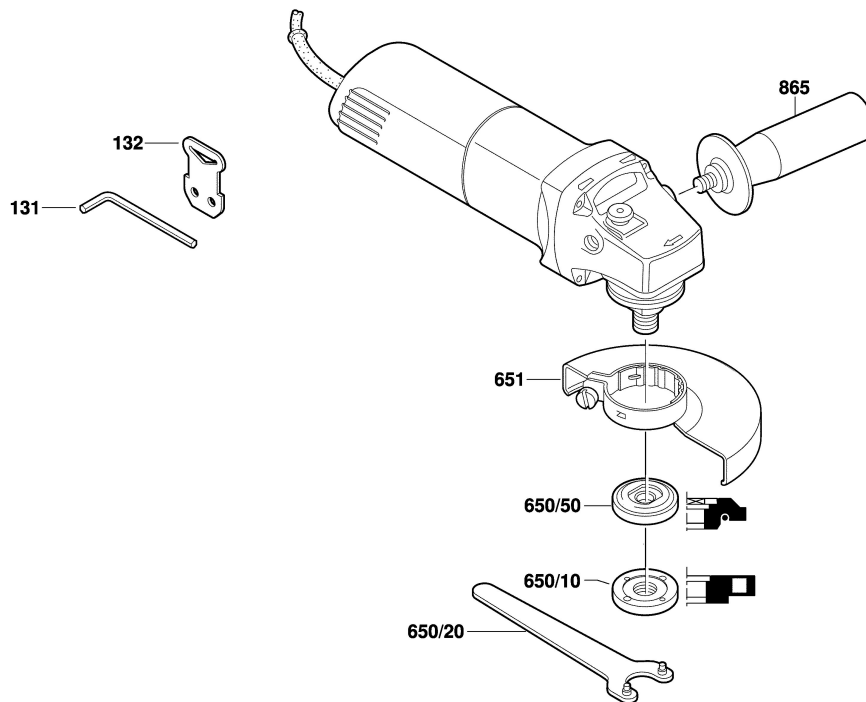
Gerad - Verzahnung

● Vor Demontage des Ankers
 Kohlebürsten 5mm zurückziehen !
 Before the armature is removed the carbon brushes
 must be withdrawn by at least 5mm !



F 015 913 3A4
 Stand | 08-07
 Issue | 09-01-21

Fig./Abb. 2



Änderungen vorbehalten
 Modifications reserved
 Modifications reserves
 Salvo modificaciones