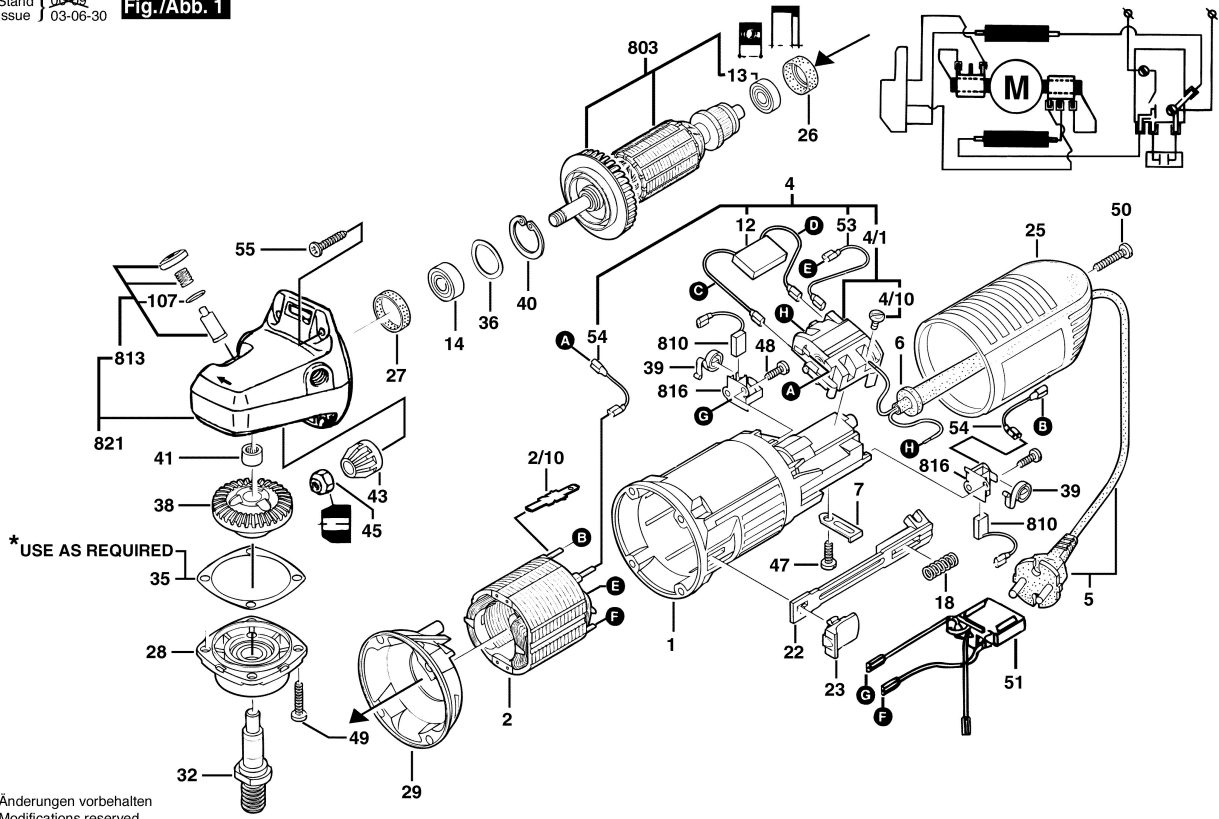


F 015 928 5A1
 Stand } 00-05-31
 Issue } 03-06-30

Fig./Abb. 1



F 015 928 5A1
 Stand } 00-05-31
 Issue }

Fig./Abb. 2

