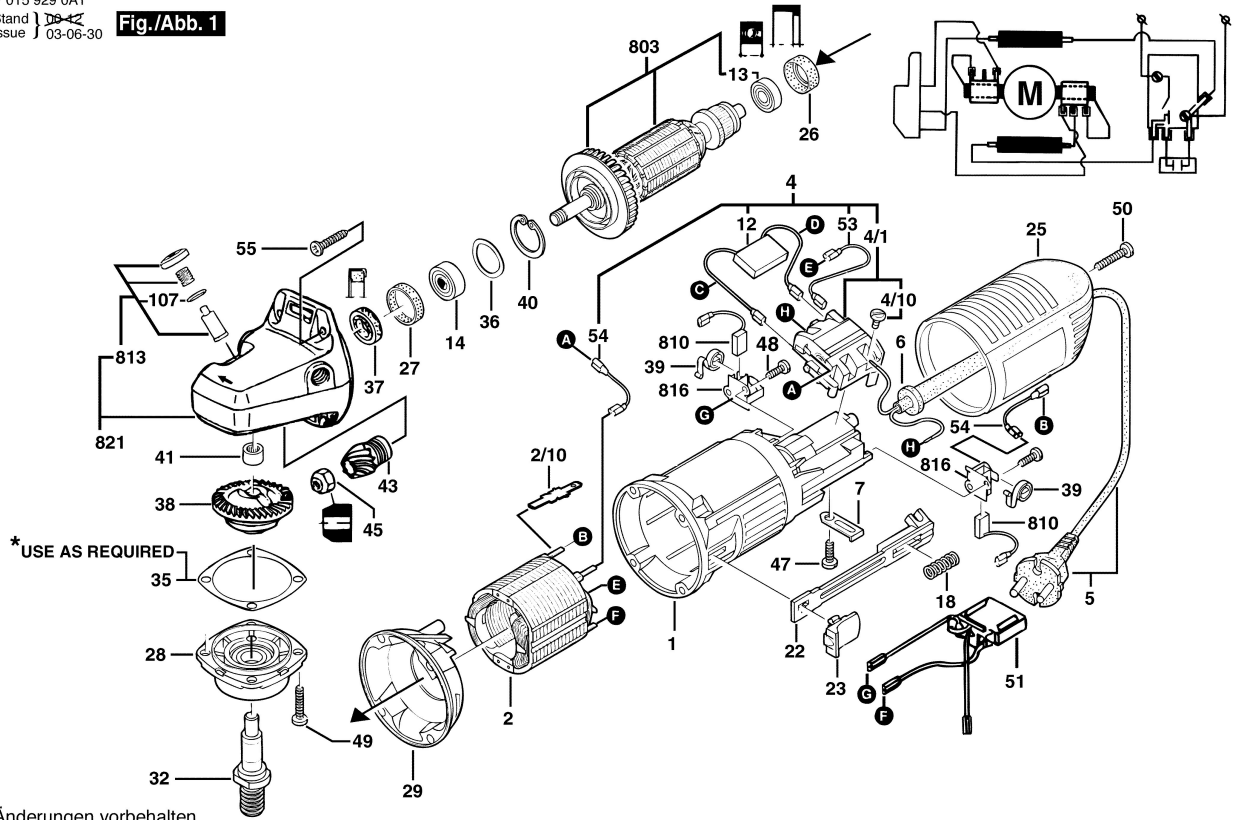


F 015 929 0A1
 Stand } 03-06-30
 Issue }

Fig./Abb. 1

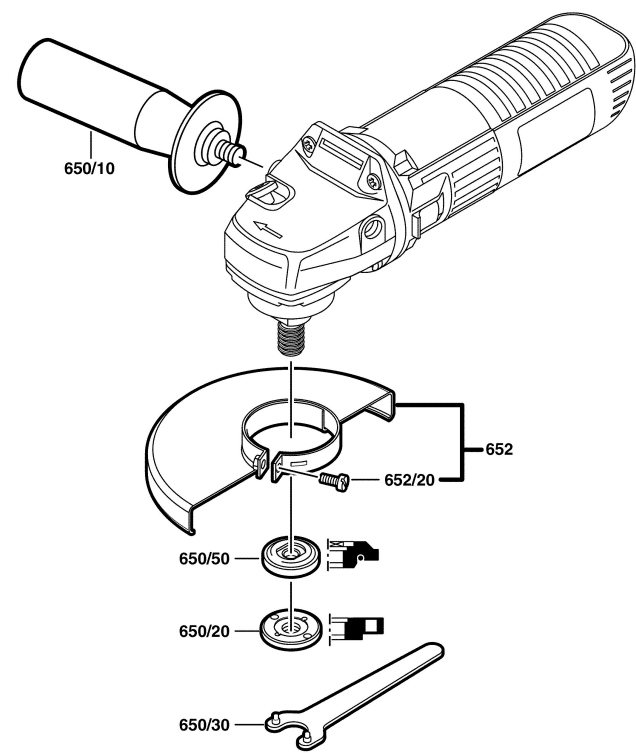


*USE AS REQUIRED

Änderungen vorbehalten
 Modifications reserved
 Modifications reserves
 Salvo modificaciones

F 015 929 0A1
 Stand } 00-05-31
 Issue }

Fig./Abb. 2



Änderungen vorbehalten
 Modifications reserved
 Modifications reserves
 Salvo modificaciones