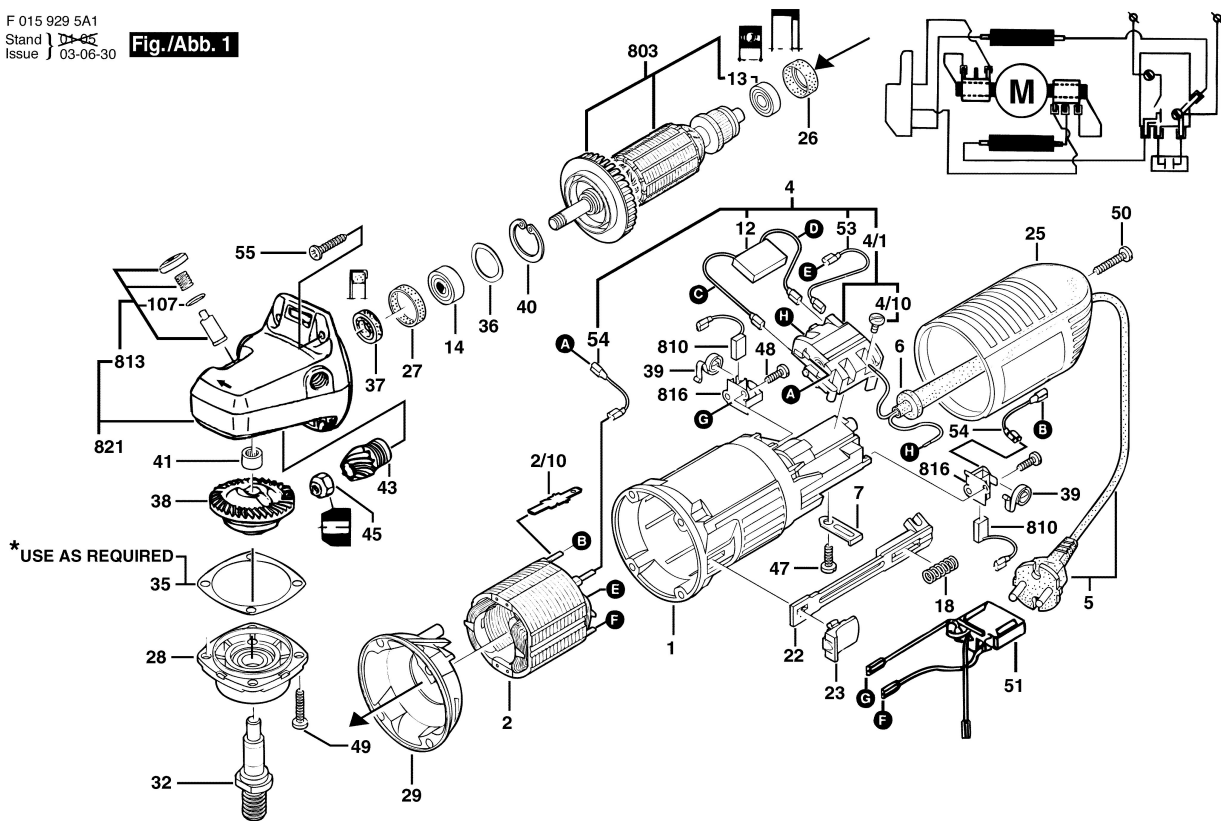


F 015 929 5A1  
 Stand } 03-05  
 Issue } 03-06-30

**Fig./Abb. 1**

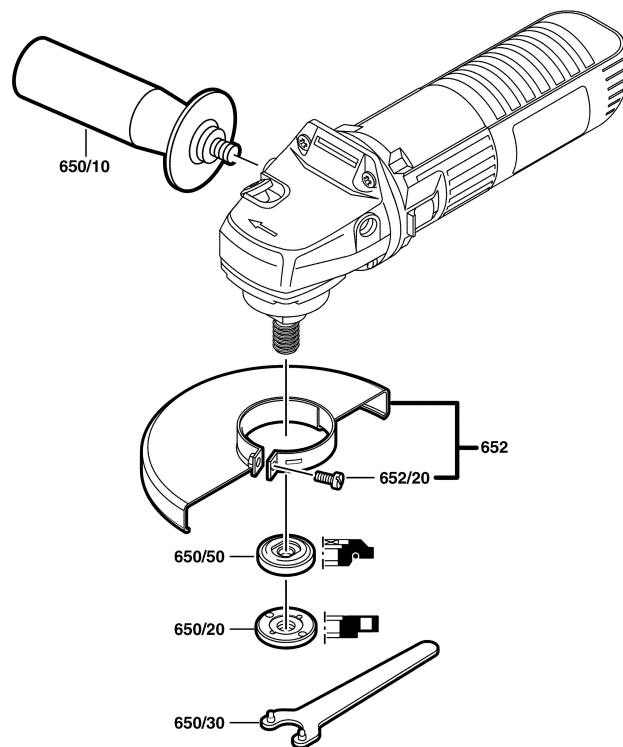


\*USE AS REQUIRED

Änderungen vorbehalten  
 Modifications reserved  
 Modifications reserves  
 Salvo modificaciones

F 015 929 5A1  
 Stand } 00-05-31  
 Issue }

**Fig./Abb. 2**



Änderungen vorbehalten  
 Modifications reserved  
 Modifications reserves  
 Salvo modificaciones