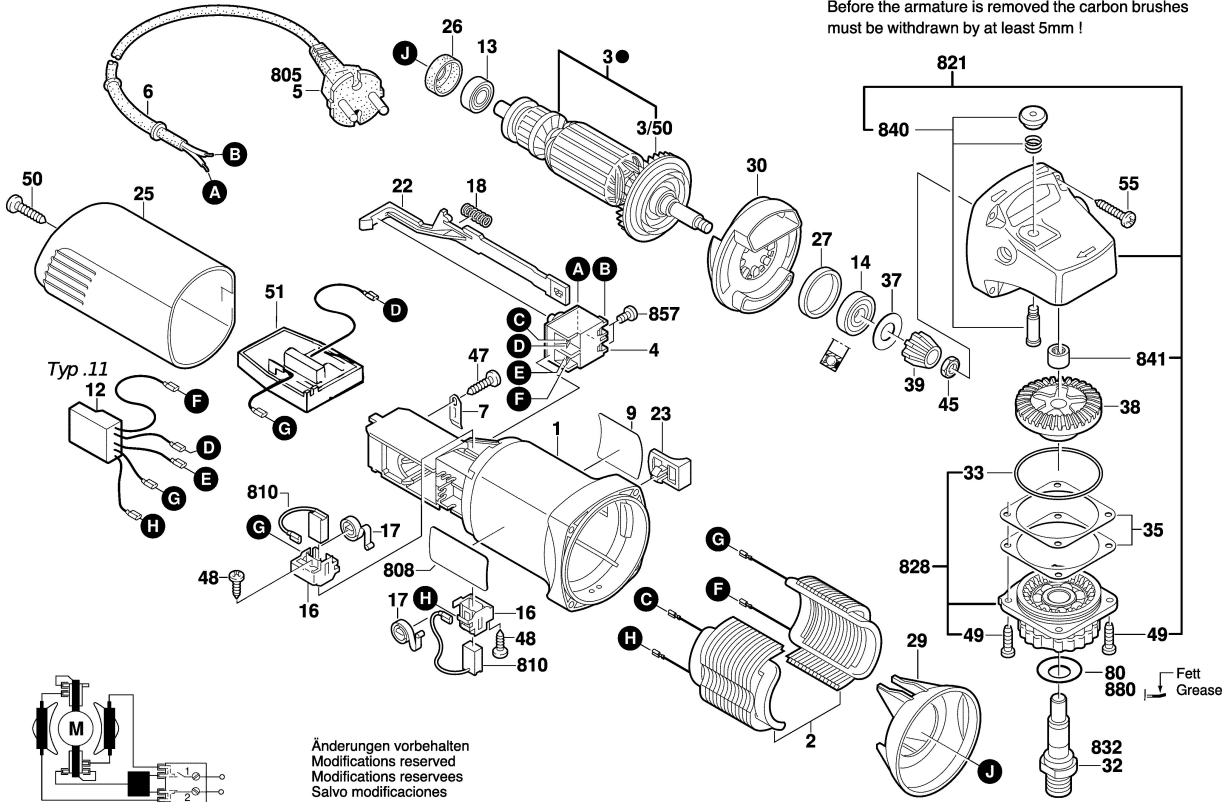


F 015 937 311  
 Stand | 09-01  
 Issue | 11-11-10

Fig./Abb. 1

Gerad - Verzahnung

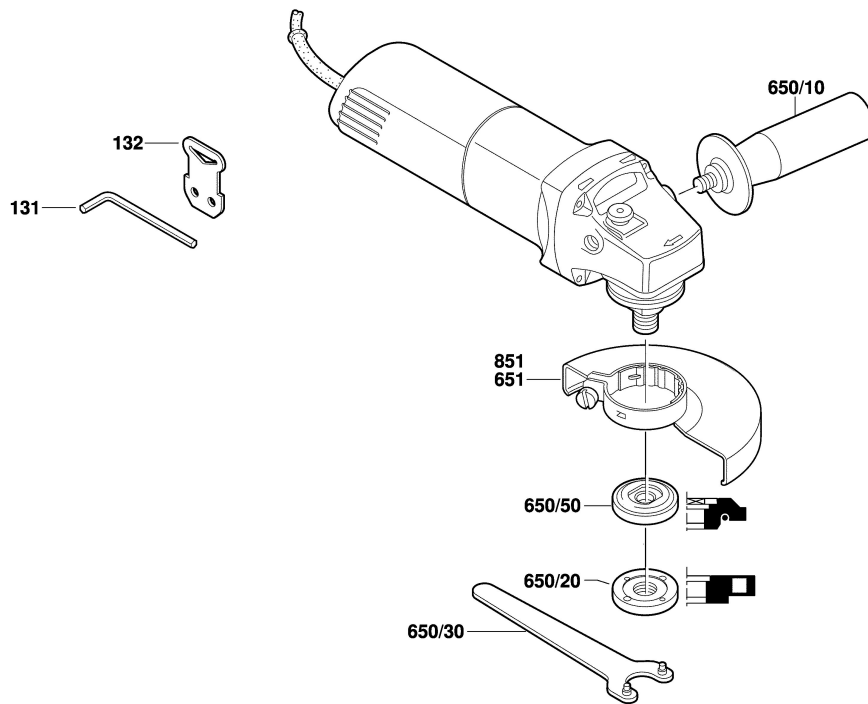
● Vor Demontage des Ankers  
 Kohlebürsten 5mm zurückziehen !  
 Before the armature is removed the carbon brushes  
 must be withdrawn by at least 5mm !



Änderungen vorbehalten  
 Modifications reserved  
 Modifications reserves  
 Salvo modificaciones

F 015 937 311  
 Stand | 09-01  
 Issue | 09-02-25

Fig./Abb. 2



Änderungen vorbehalten  
 Modifications reserved  
 Modifications reserves  
 Salvo modificaciones