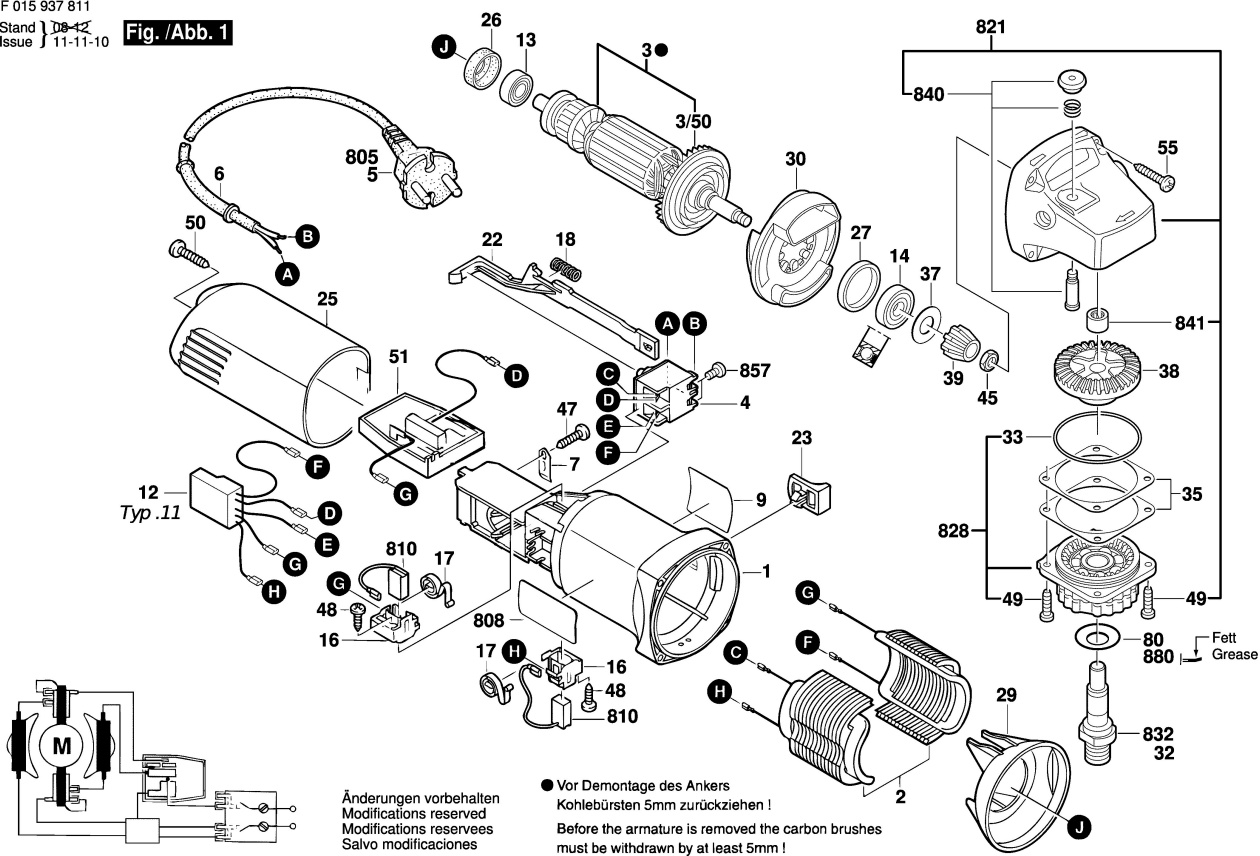


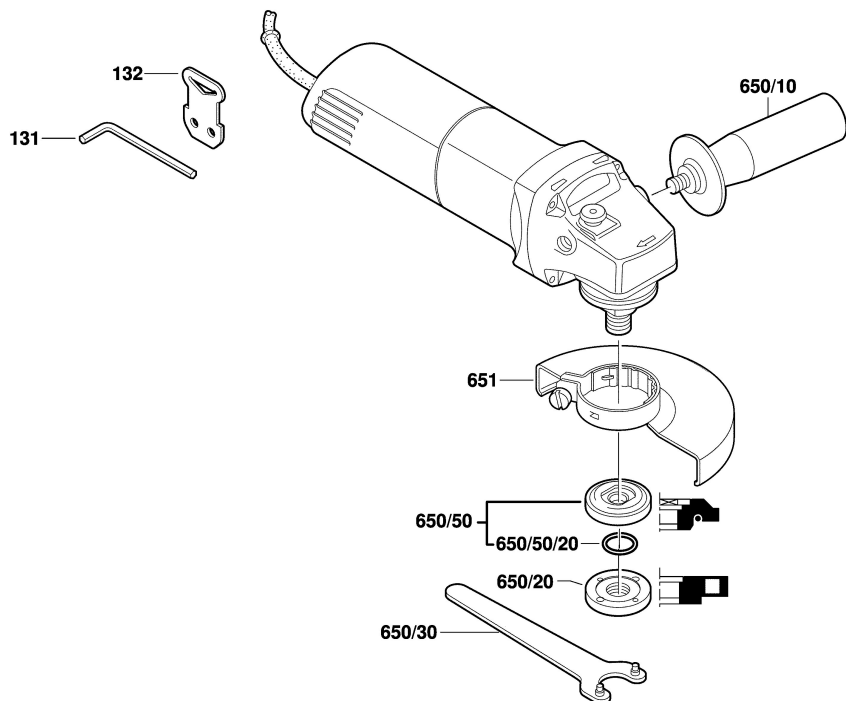
F 015 937 811  
 Stand | 08-12  
 Issue | 11-11-10

Fig./Abb. 1



F 015 937 811  
 Stand | 08-12  
 Issue | 09-01-22

Fig./Abb. 2



Änderungen vorbehalten  
 Modifications reserved  
 Modifications reserves  
 Salvo modificaciones