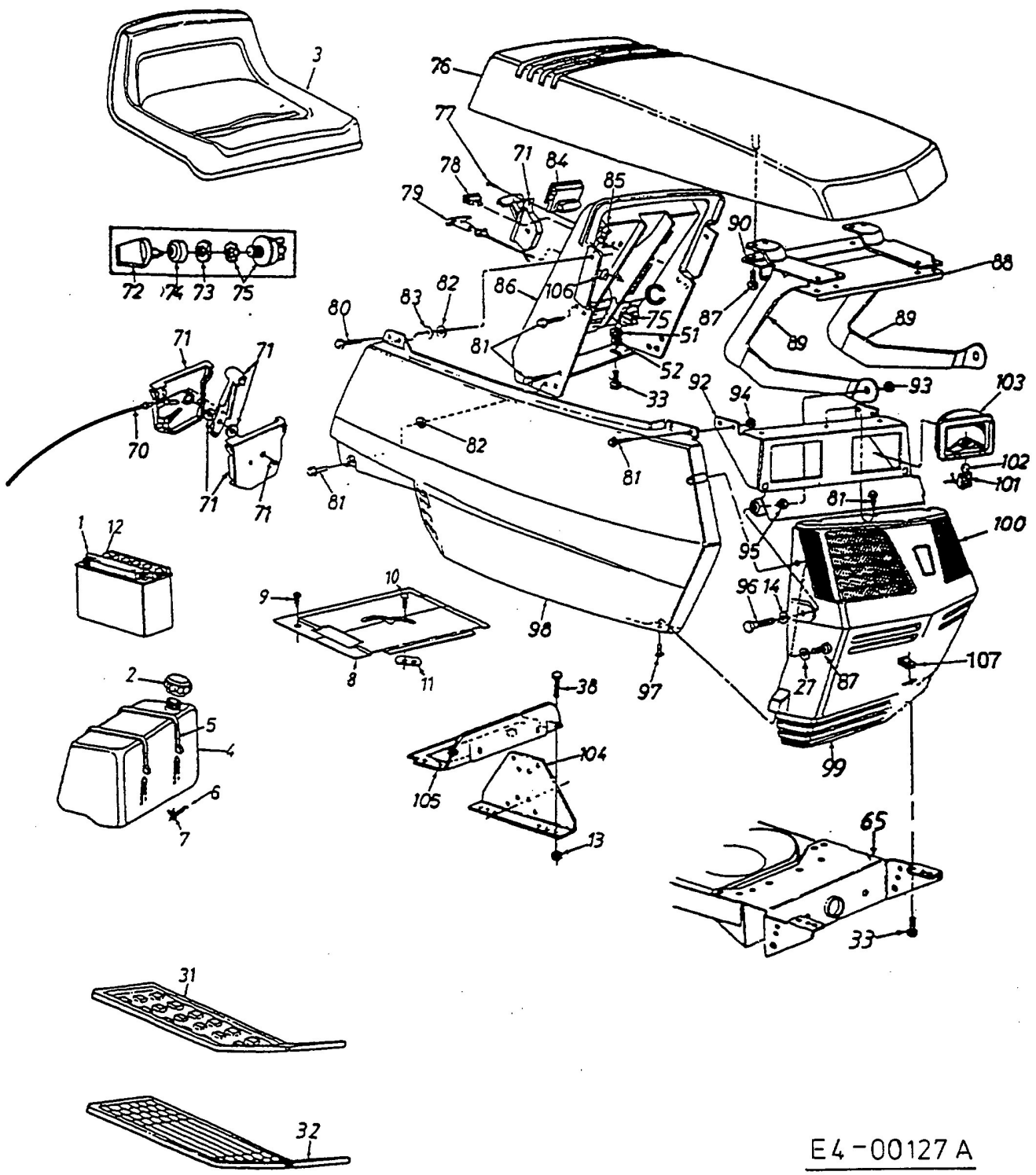


Model 764 (until 1998)



E4-00127 A