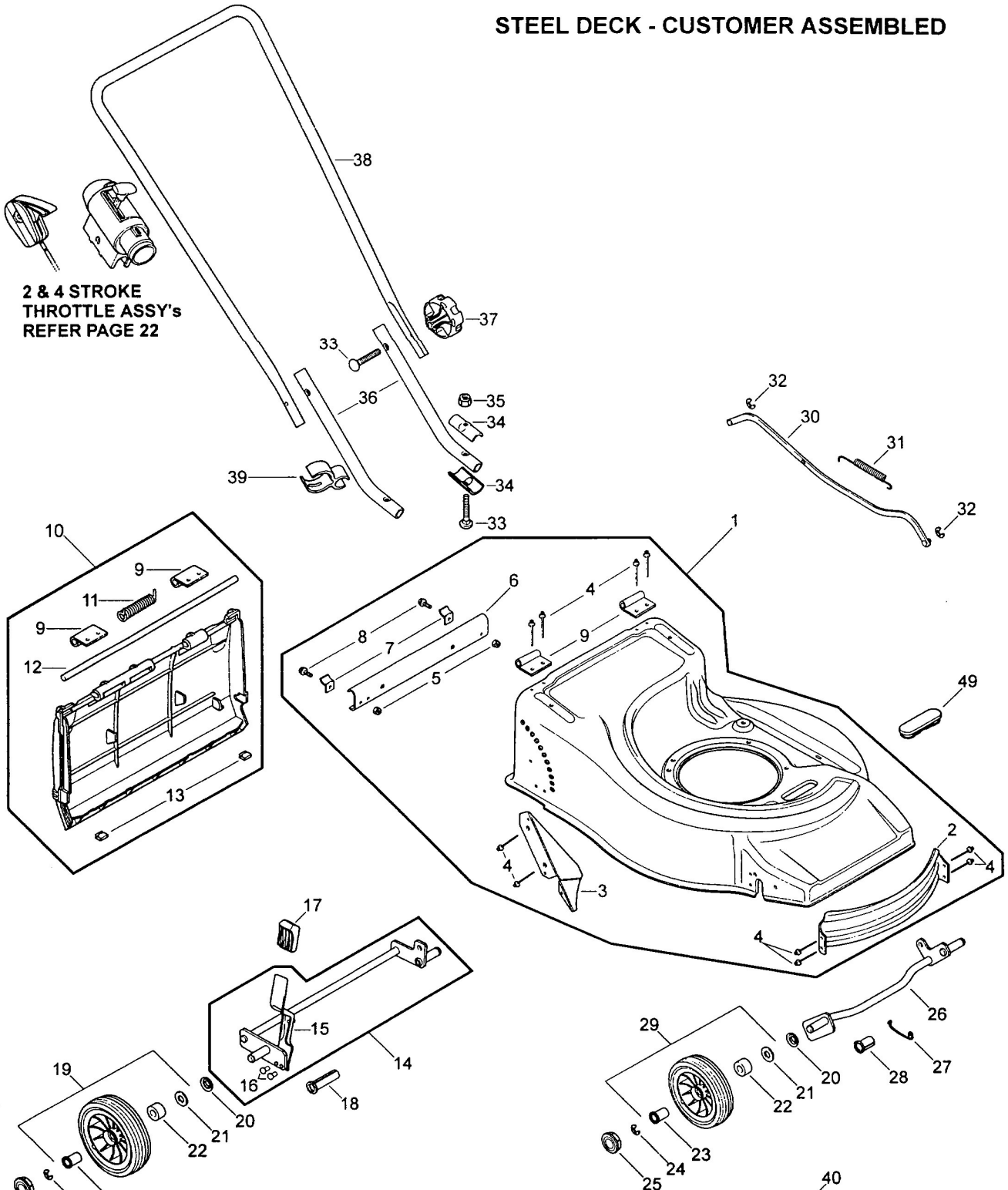


# STEEL DECK - CUSTOMER ASSEMBLED



**2 & 4 STROKE  
THROTTLE ASSY's  
REFER PAGE 22**

**NOTE - MODELS FITTED WITH SUPATRAK WHEELS  
USE TWIN BEARINGS (REFER CLASSIC DECK,  
PAGE 4)**

