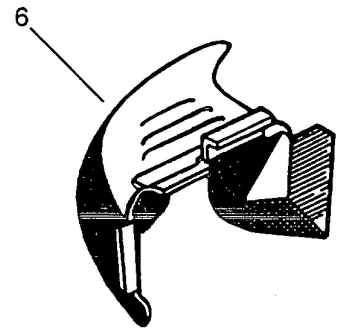
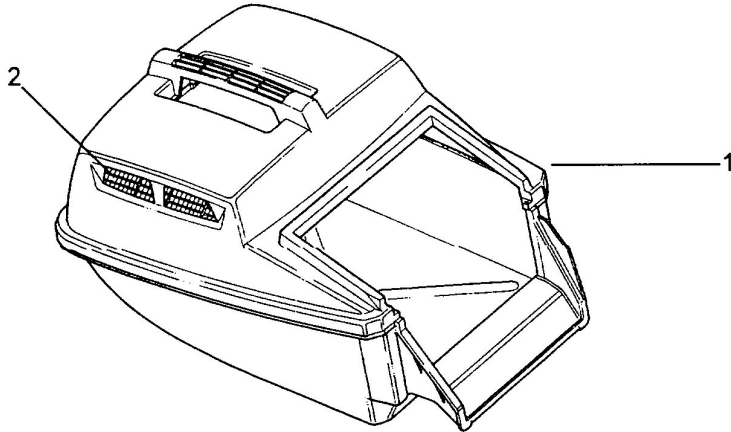


GRASS CATCHER ASSEMBLIES

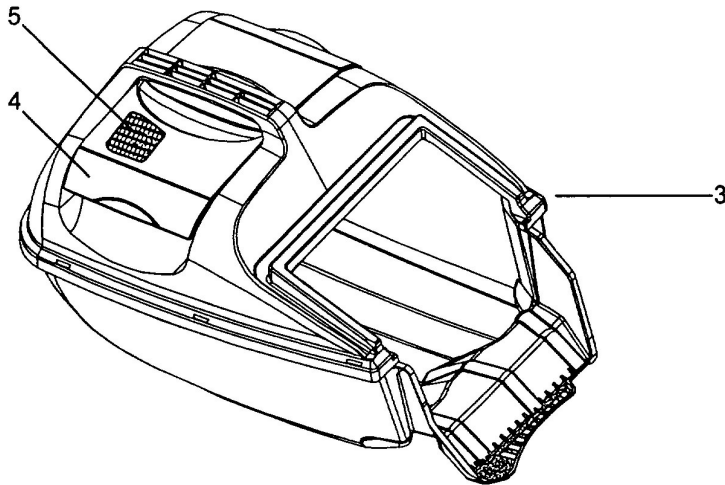
A. STANDARD CATCHER

ALL 18" DOMESTIC MODELS UP TO SEPT 1999
AND CUSTOMER ASSEMBLED MODELS FROM SEPT 1999



B. 1999 SERIES CATCHER

18" DOMESTIC MODELS FROM SEPT 1999 EXCLUDING
CUSTOMER ASSEMBLED MODELS AND CORVETTE 400



C. MUSTANG 20 CATCHER

MUSTANG 20 AND CORVETTE 900 MODELS

