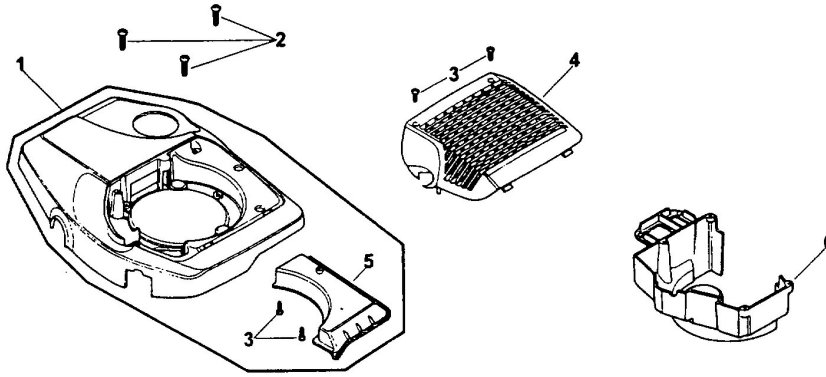
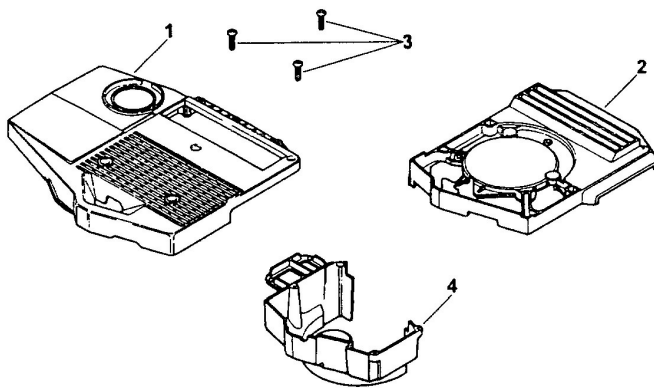


2 STROKE ENGINE COWLINGS

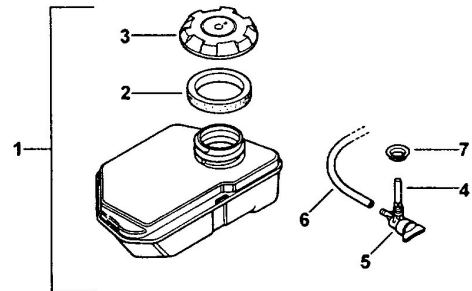
DELUXE COWL PRO MULCH or CATCH



INTERIM COWLING TILT-A-CUT



INTERIM & DELUXE FUEL TANK



PRO SERIES COWLING

