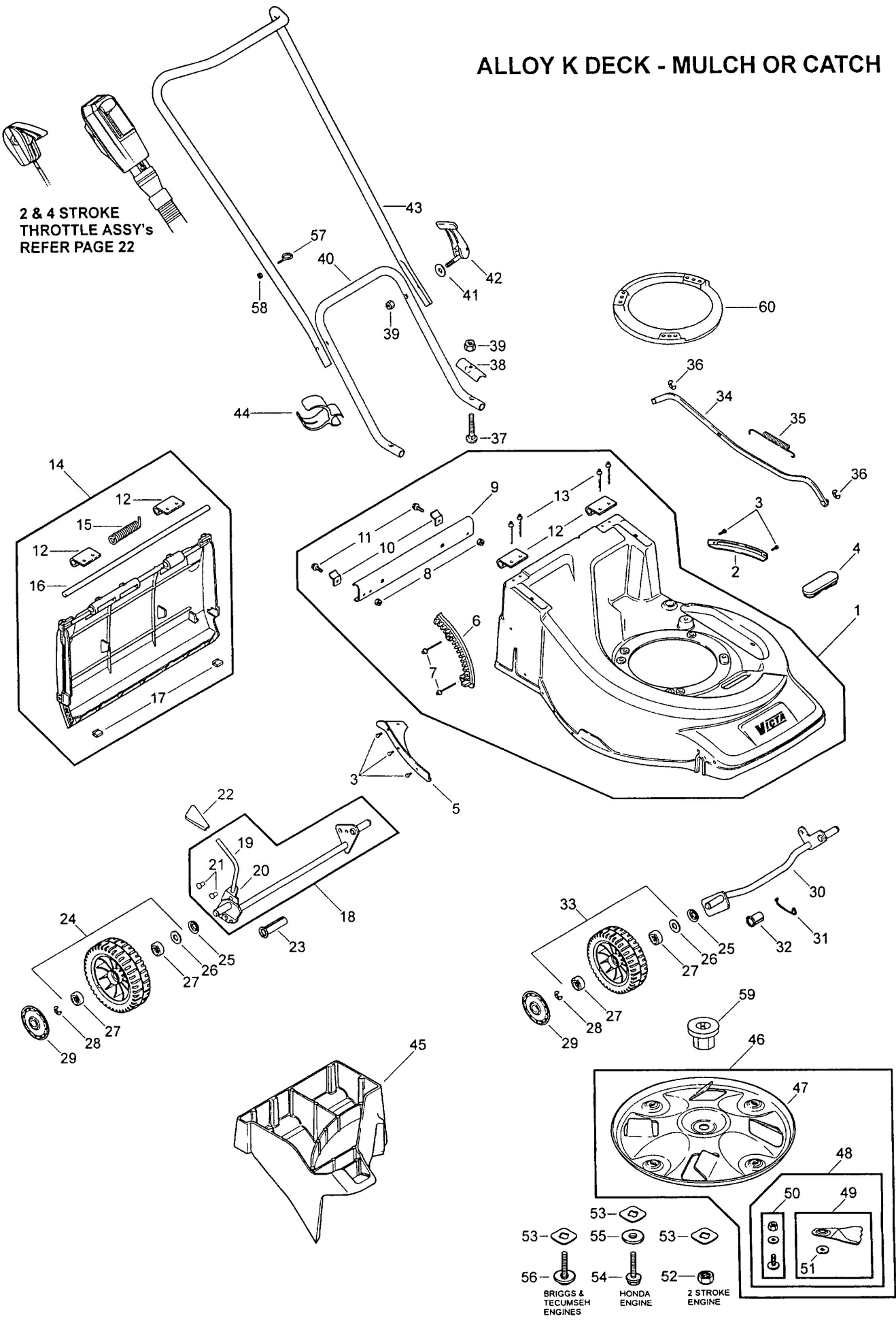


ALLOY K DECK - MULCH OR CATCH

2 & 4 STROKE
THROTTLE ASSY's
REFER PAGE 22



- | | | |
|---------------------------|--------------|-----------------|
| 53 | 53 | 53 |
| 55 | 55 | 55 |
| 56 | 54 | 52 |
| BRIGGS & TECUMSEH ENGINES | HONDA ENGINE | 2 STROKE ENGINE |
- 47

48

50

49

51