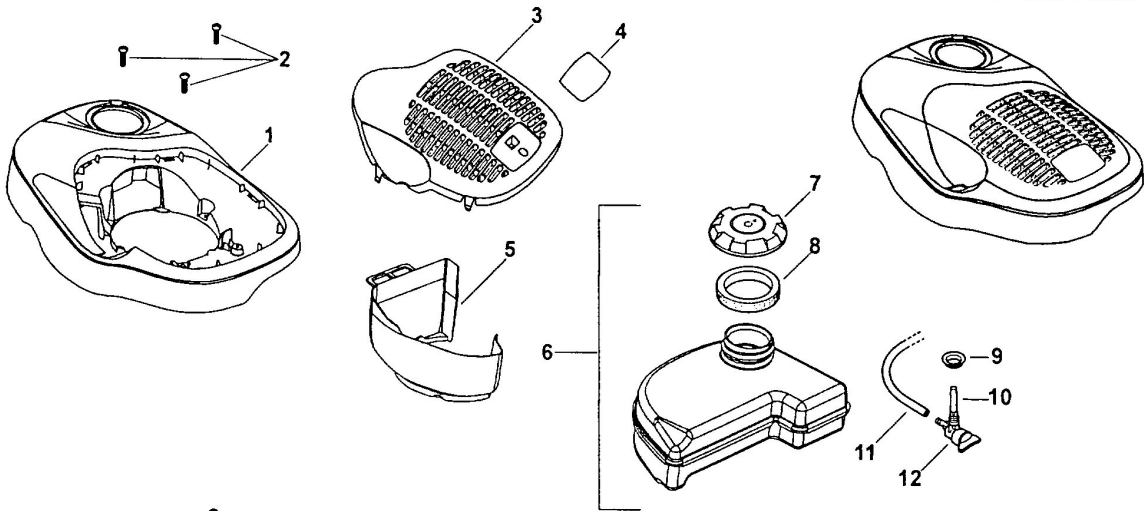
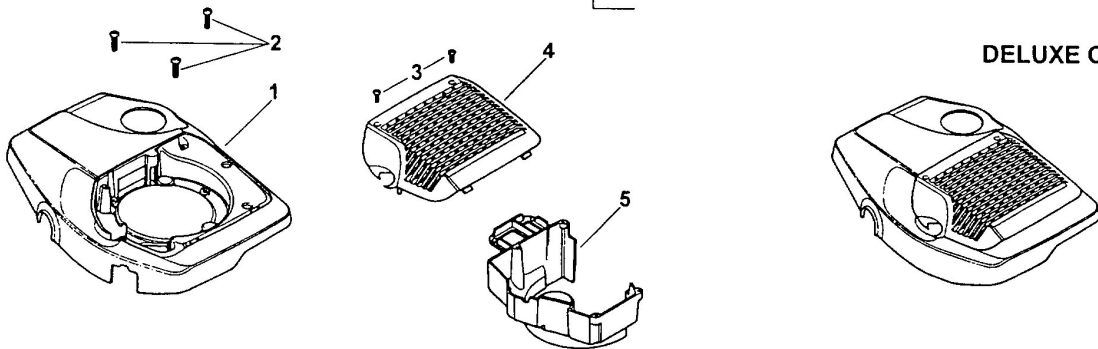


# 2 STROKE COWLINGS & FUEL TANKS

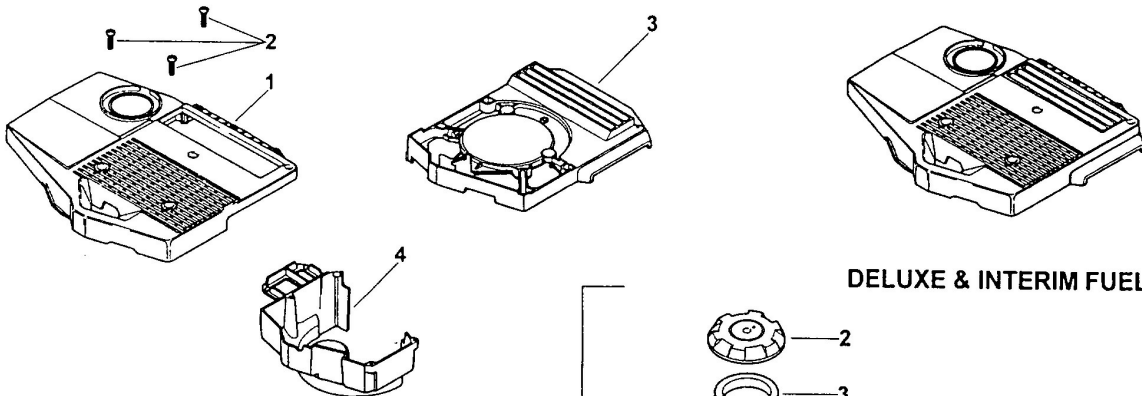
## VSX160 COWLING AND FUEL TANK



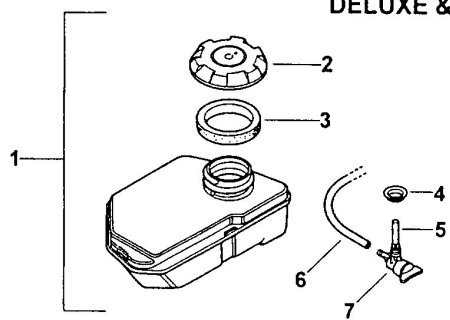
## DELUXE COWLING



## INTERIM COWLING



## DELUXE & INTERIM FUEL TANK



## VANTAGE COWLING

