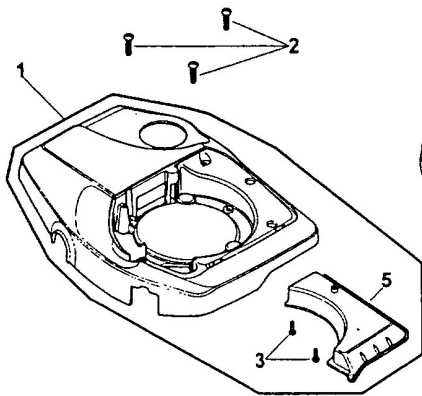
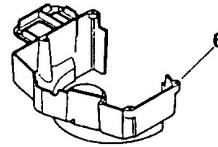
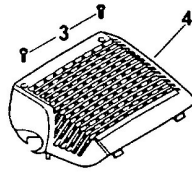


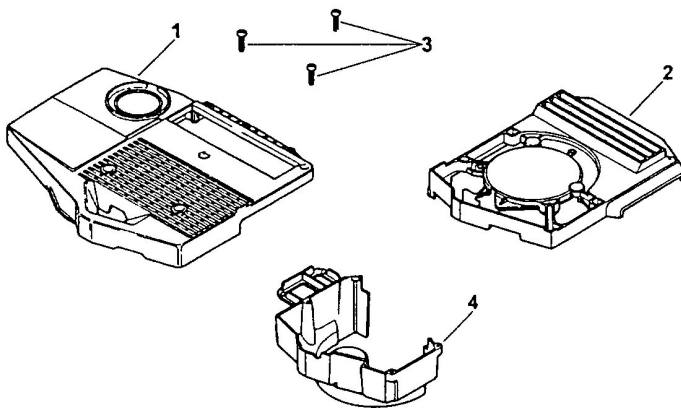
2 STROKE ENGINE COWLINGS & ENGINE MOUNTED FUEL TANKS



DELUXE COWL
PRO MULCH or CATCH



INTERIM COWLING
TILT-A-CUT



INTERIM & DELUXE FUEL TANK

PRO SERIES COWLING

