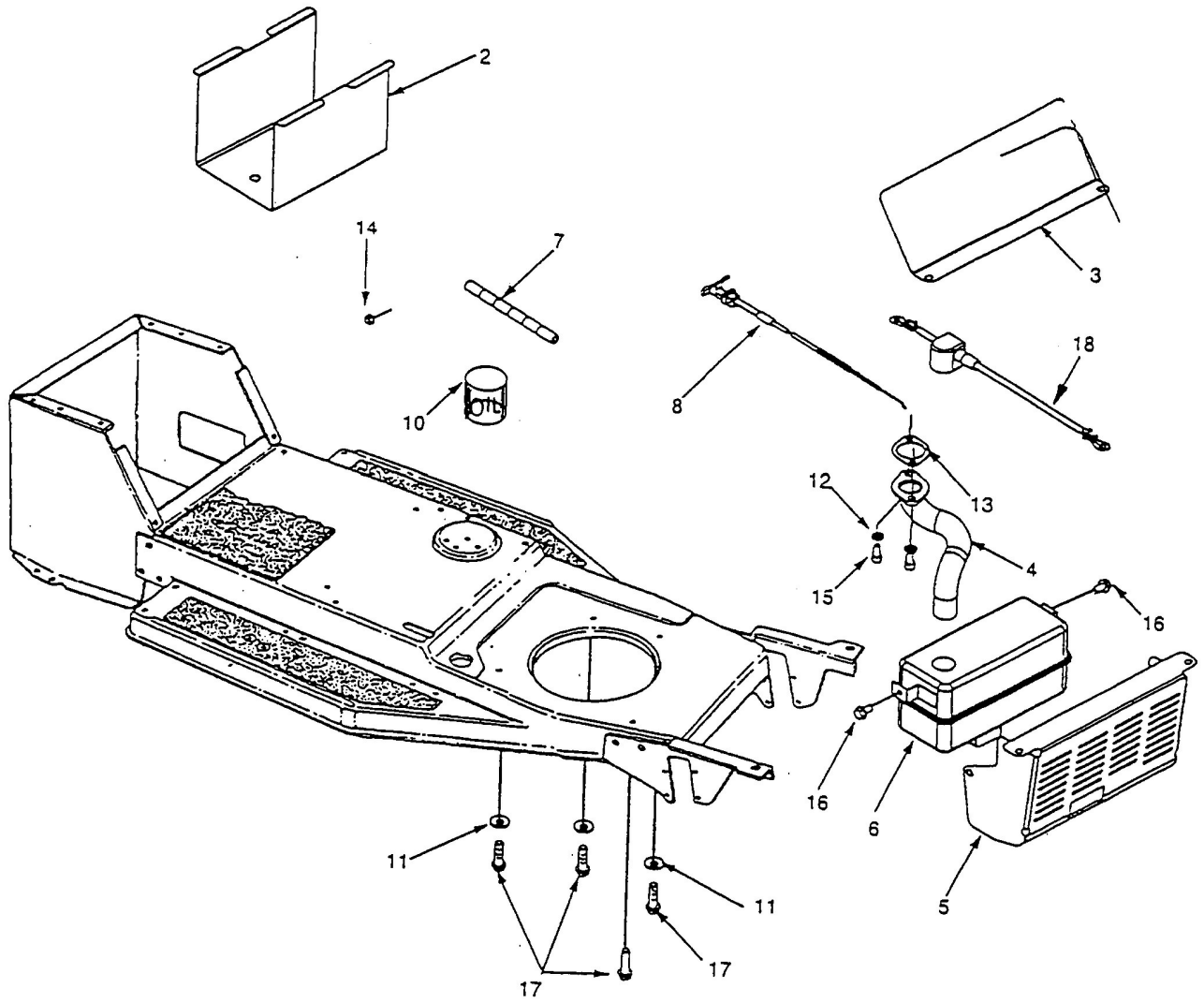


Model 450 thru 478

With TECUMSEH OHV -Engine only



E3-01397 A