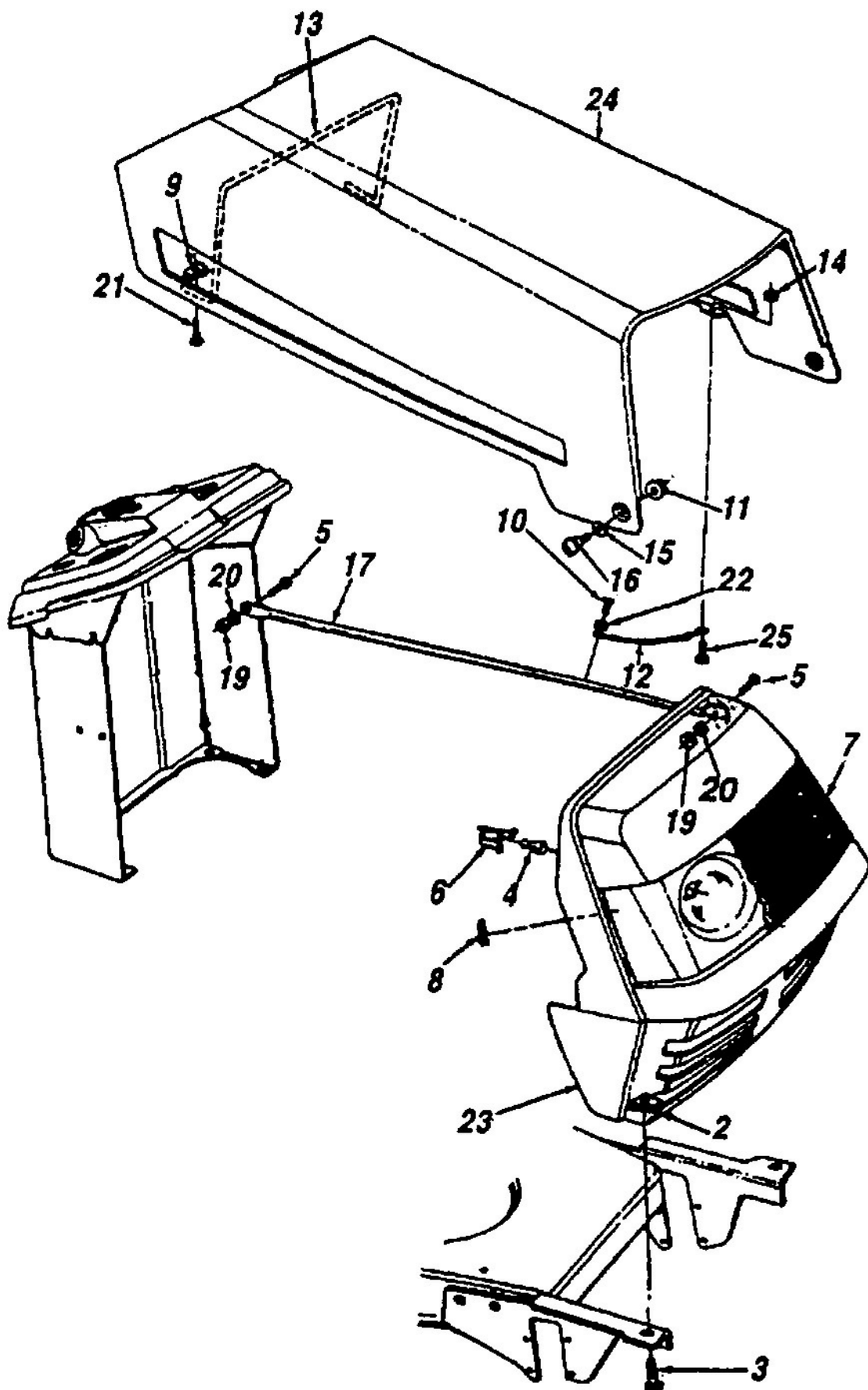


# Models 451 and 471



E 3-01385 A