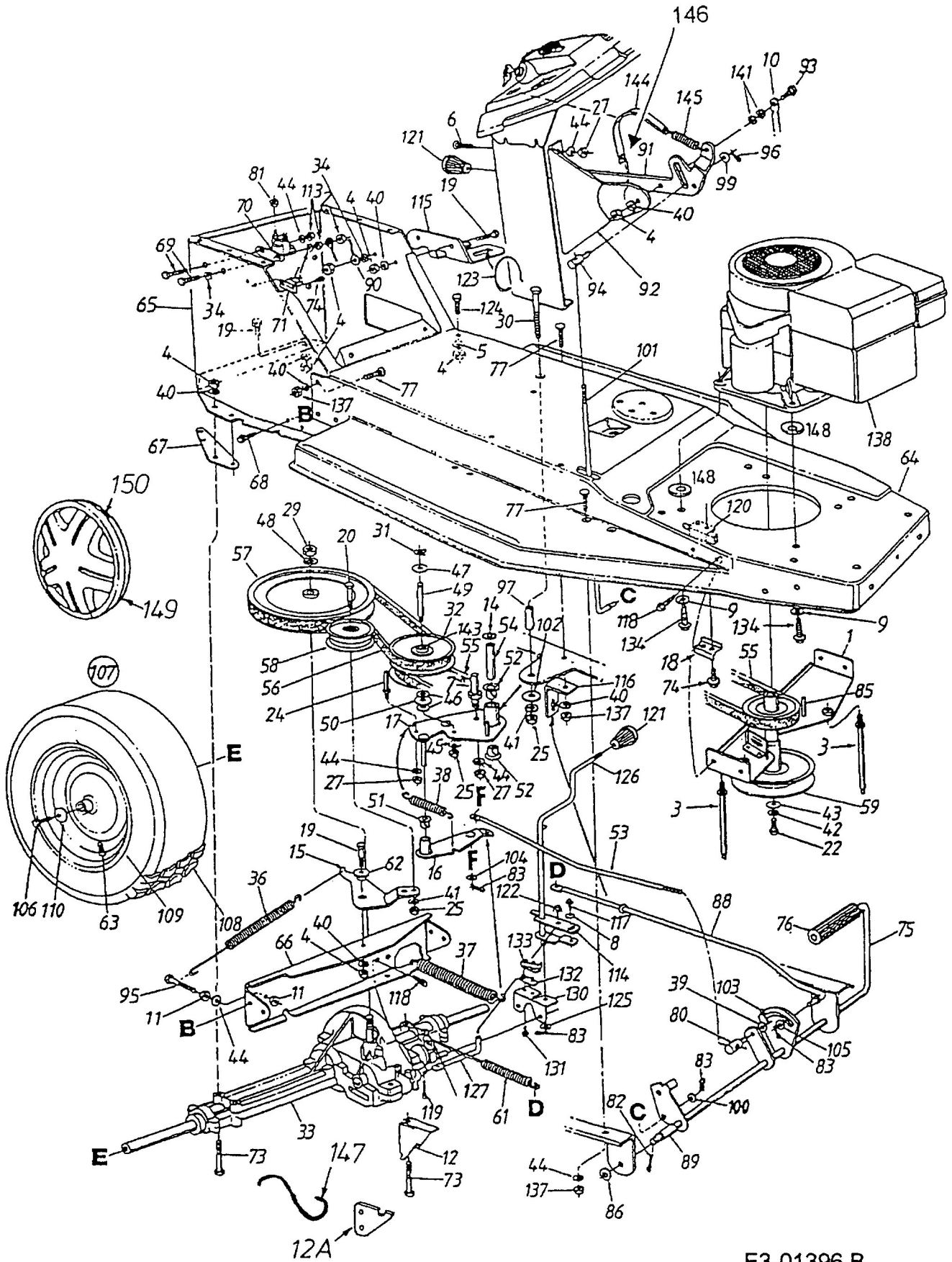


# Rider Models 450 thru 478



E3-01396 B