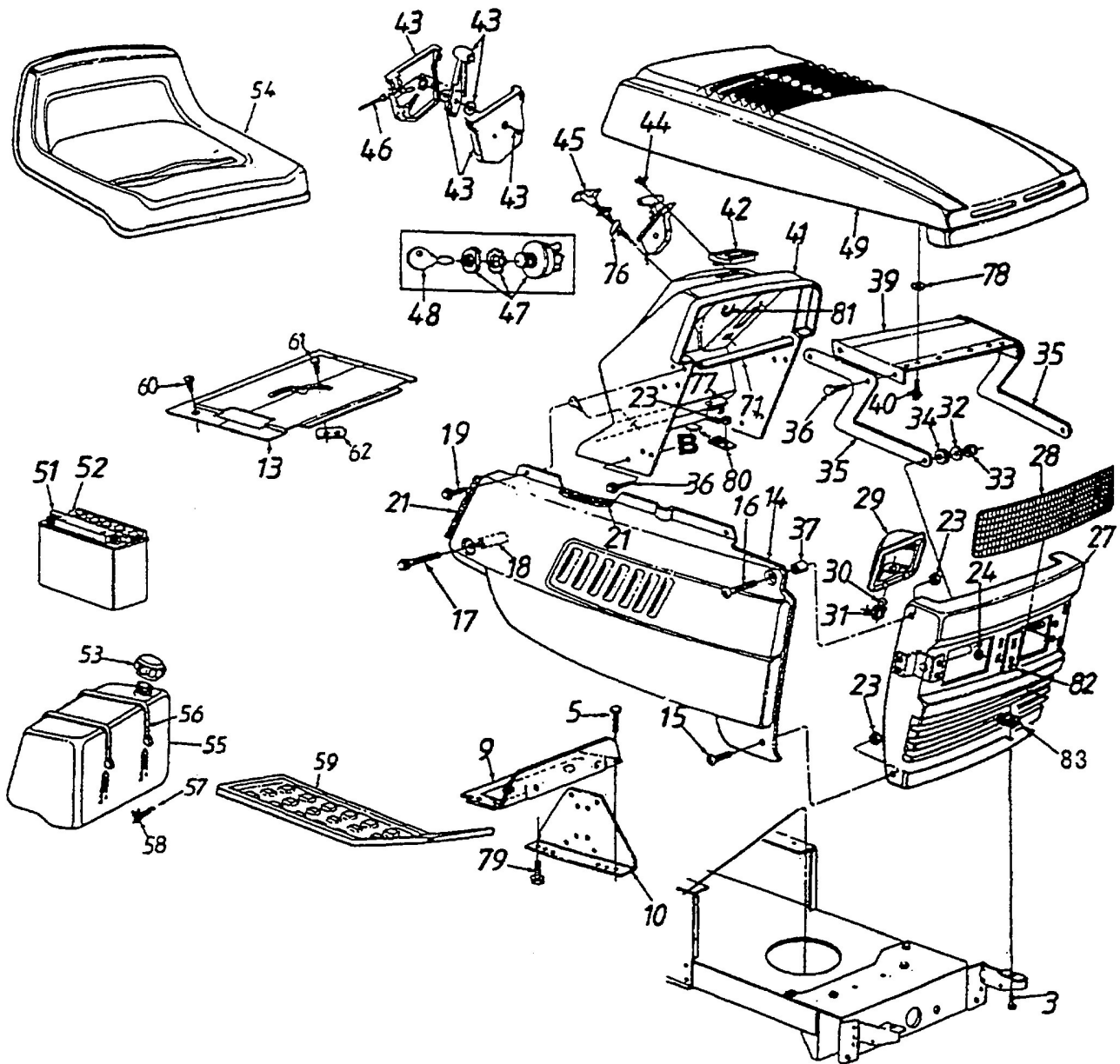


Model 769 (till October 2000)



E4-00131A