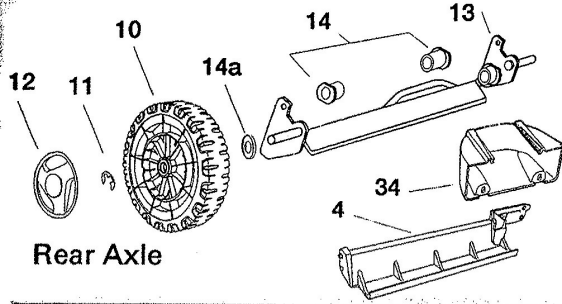
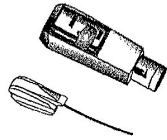
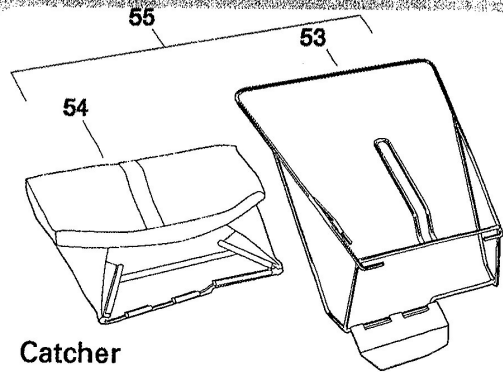


Master Series 510

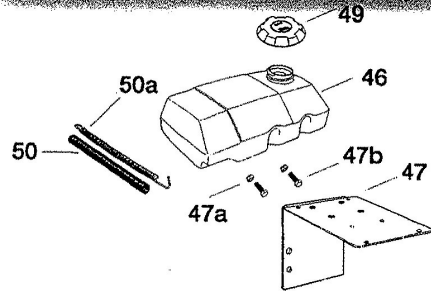
Throttle Systems & Air Filters*



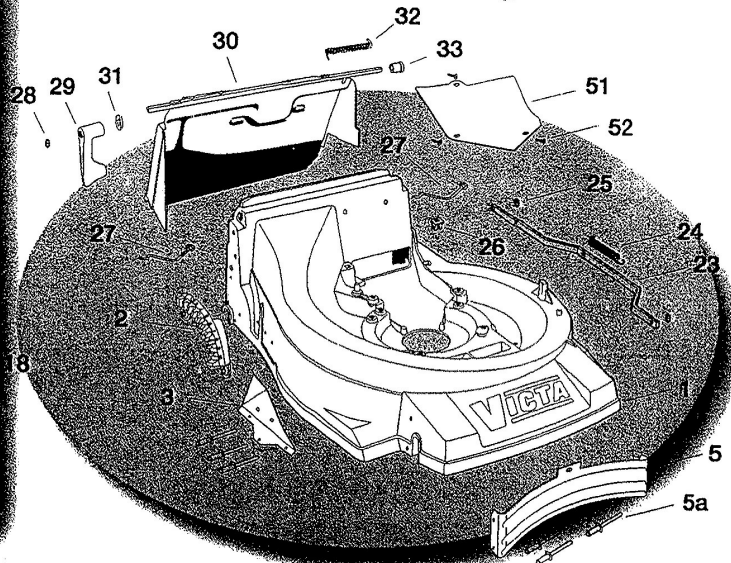
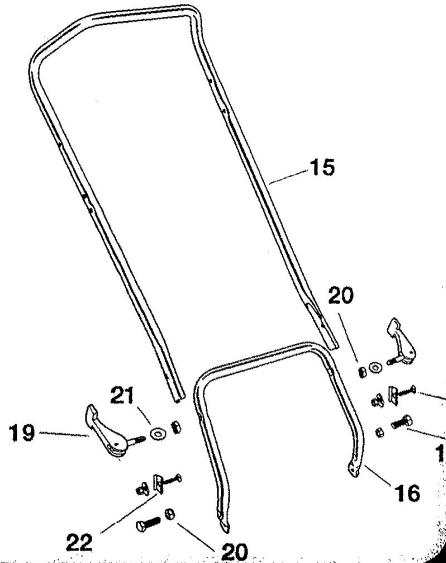
Rear Axle



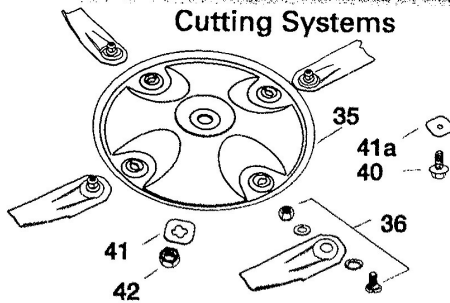
Catcher



Handle assembly



Cutting Systems



36a Blades - Workshop Pack
36b Bolts - Workshop Pack

Front Axle & Wheels

