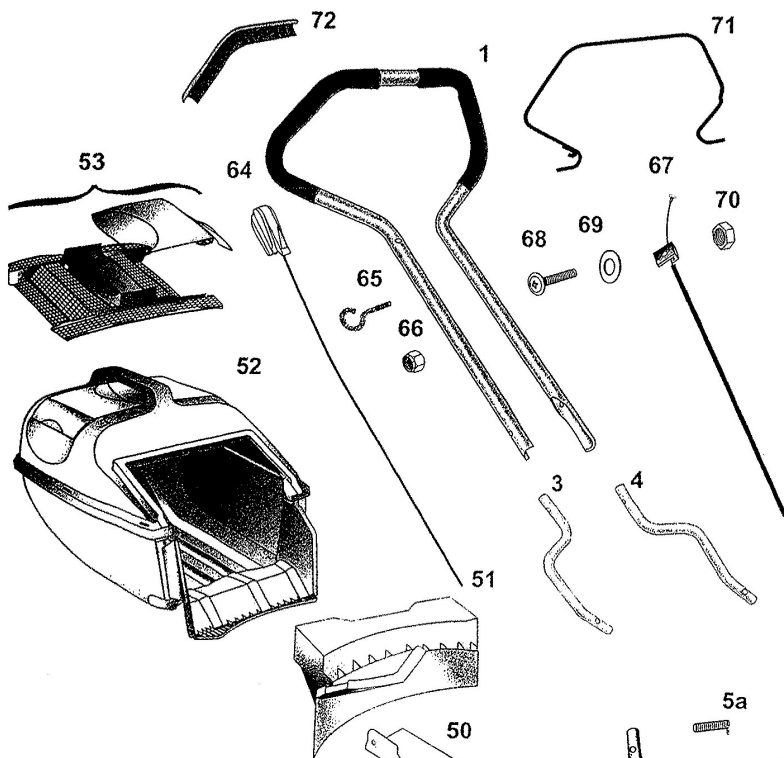
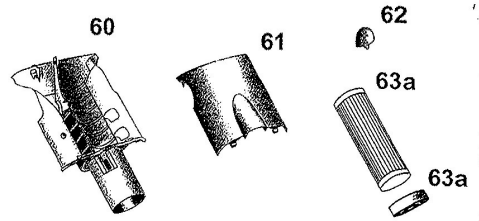


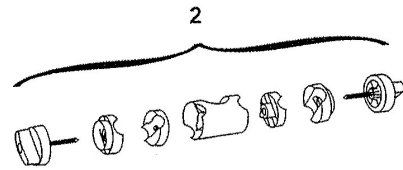
# Tornado Edge Series



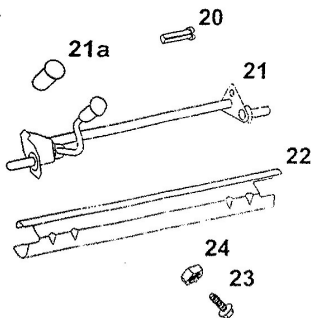
## 2-Stroke Filter & Control



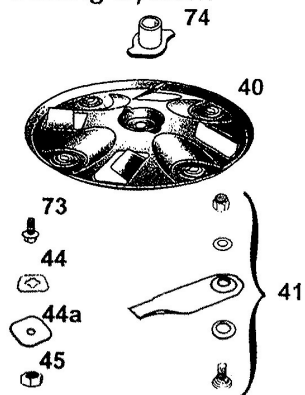
## Handle Knob



## Rear Axle



## Cutting System



42 bulk nut & bolt set - 50 pairs  
43 bulk blade pack - 40 pairs

## Front Axle & Wheels

