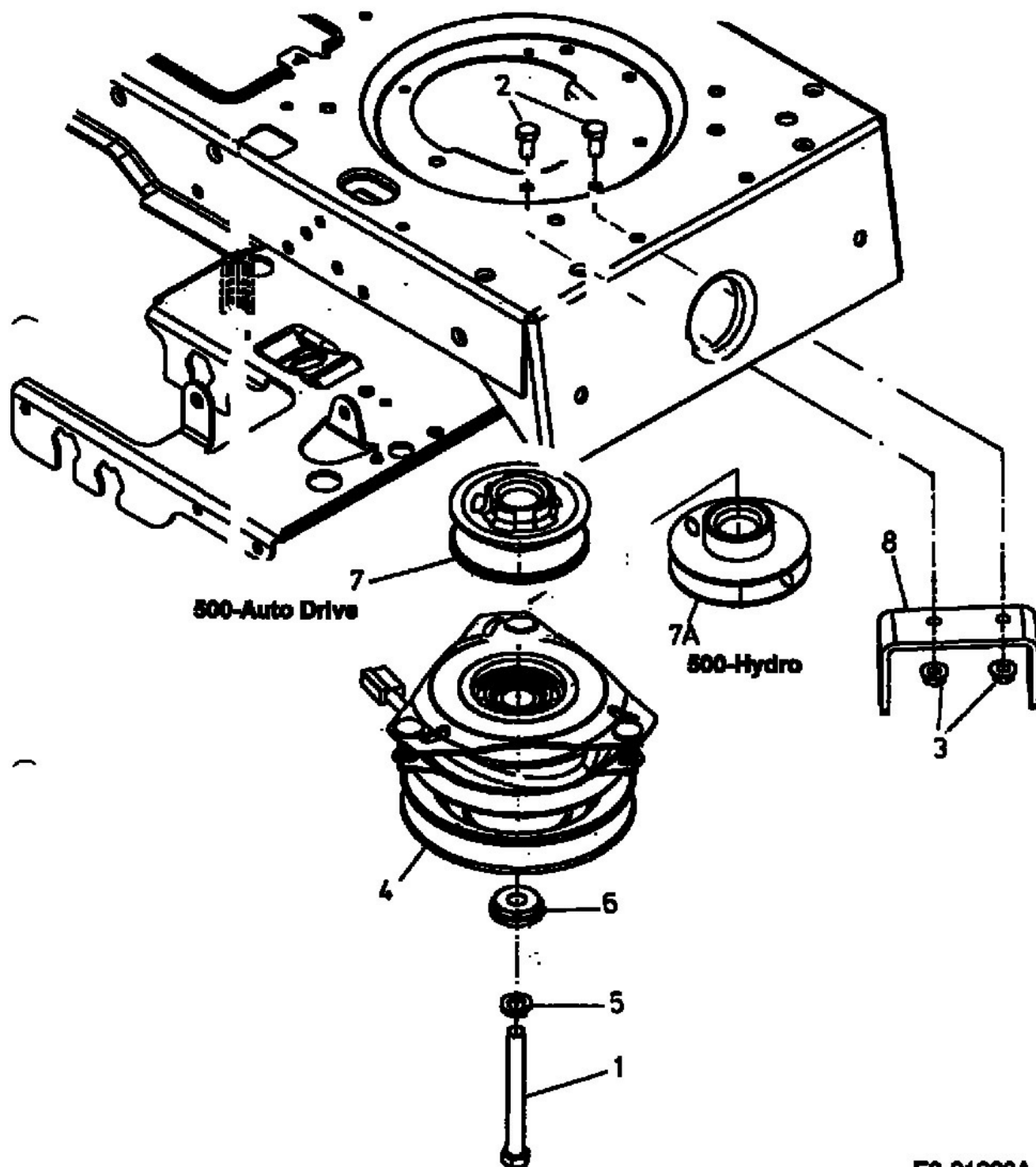


500er Serie , Auto Drive / Hydro

El. PTO



E3-01668A