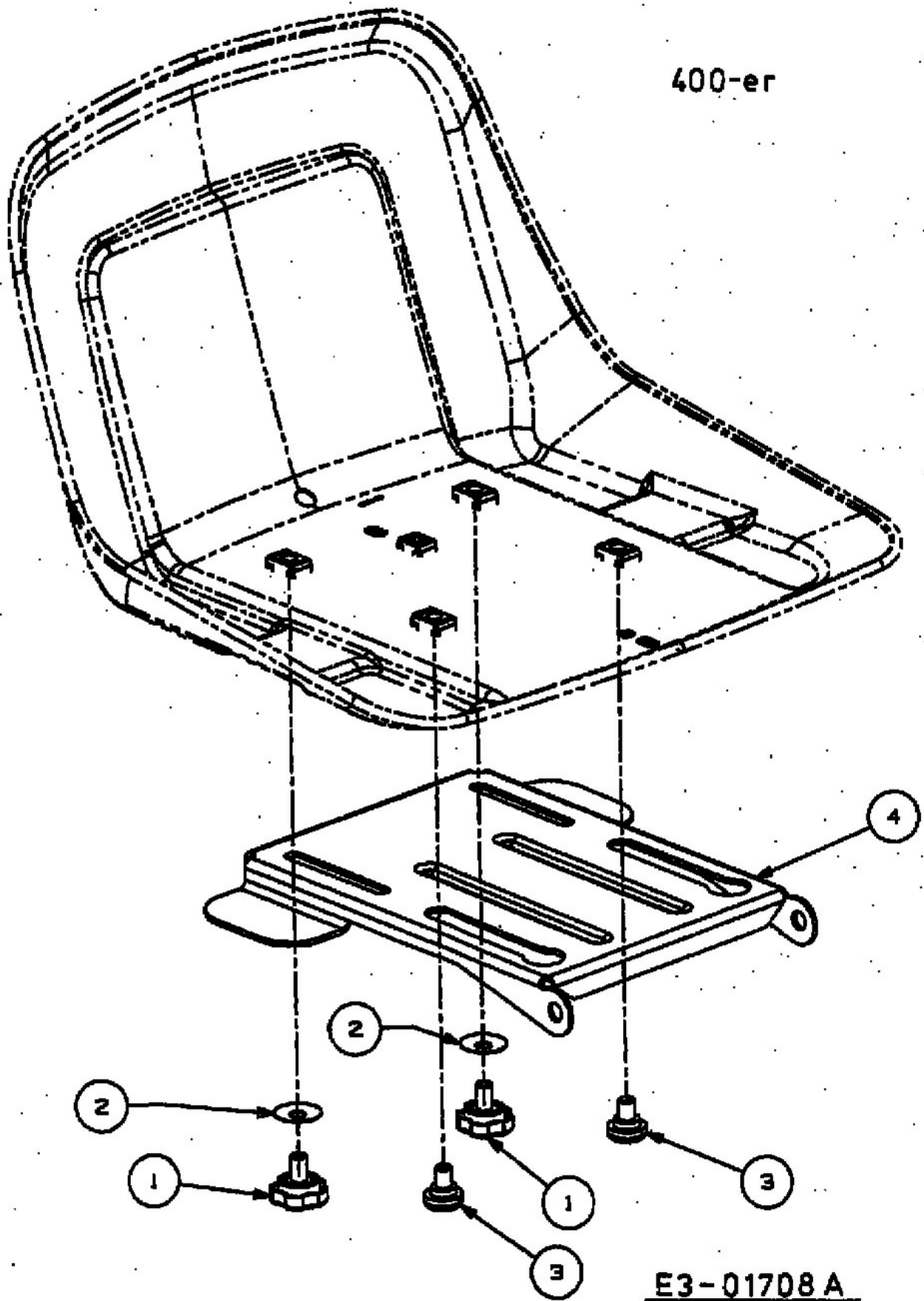


400-er



E3-01708 A