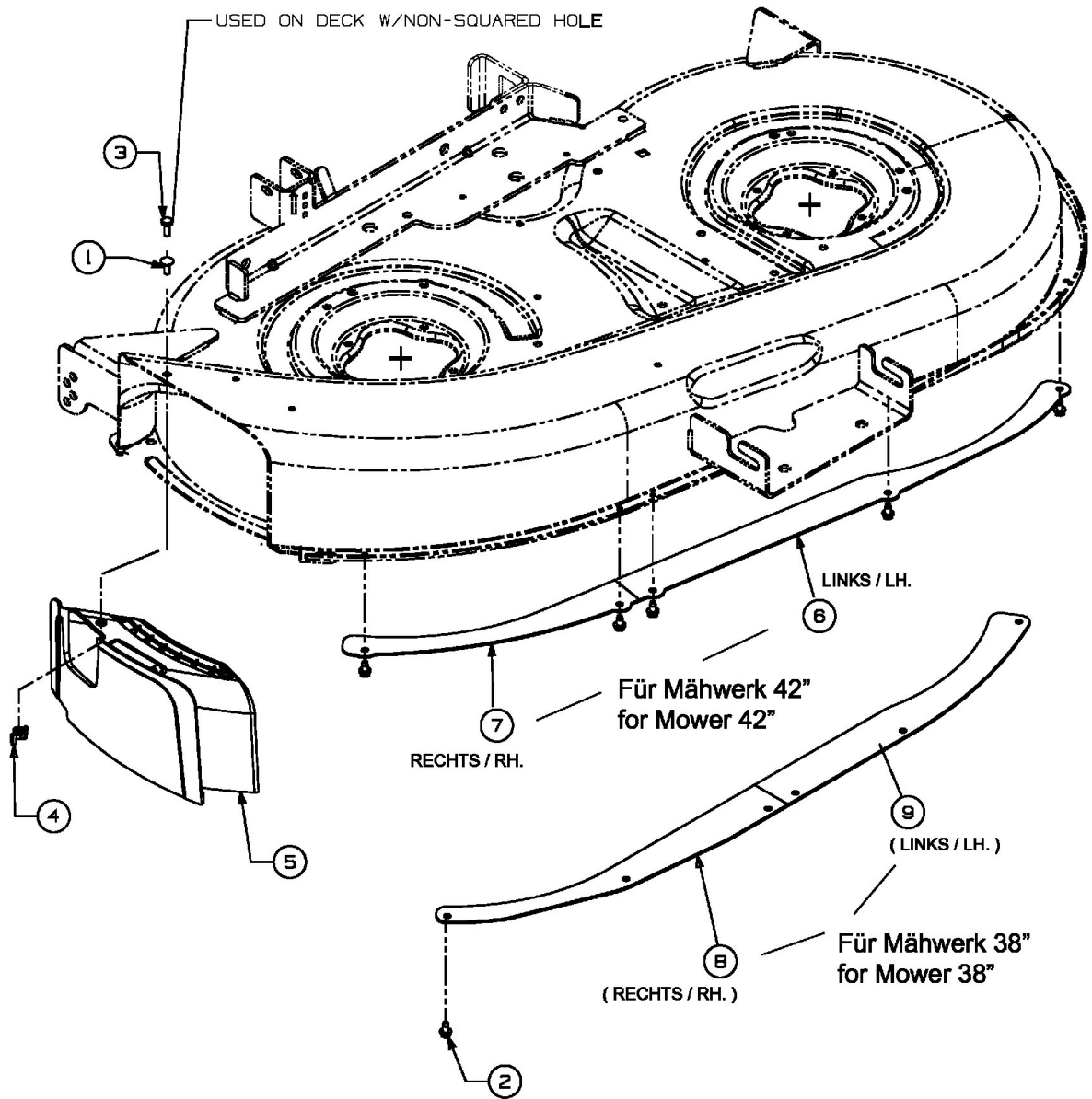


**OEM-190-116**

**MULCH-KIT  
F - DECK (38")  
G - DECK (42")**



**E3-02636A-01**