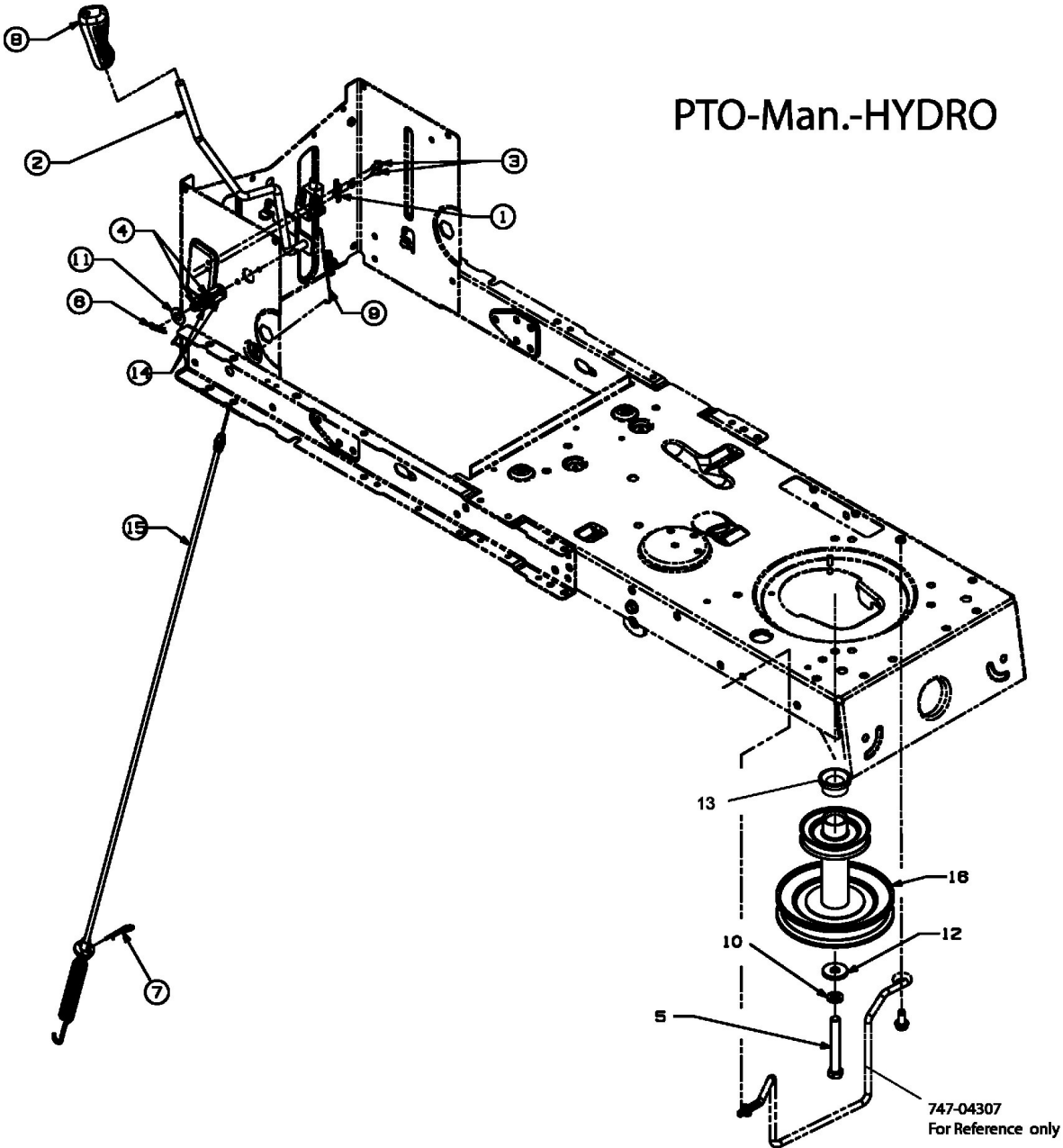


PTO-Man.-HYDRO



E3-02733B-01