

THROTTLE LIMITER TO BE  
PLACE BETWEEN DASH  
AND THE THROTTLE BRACKET.

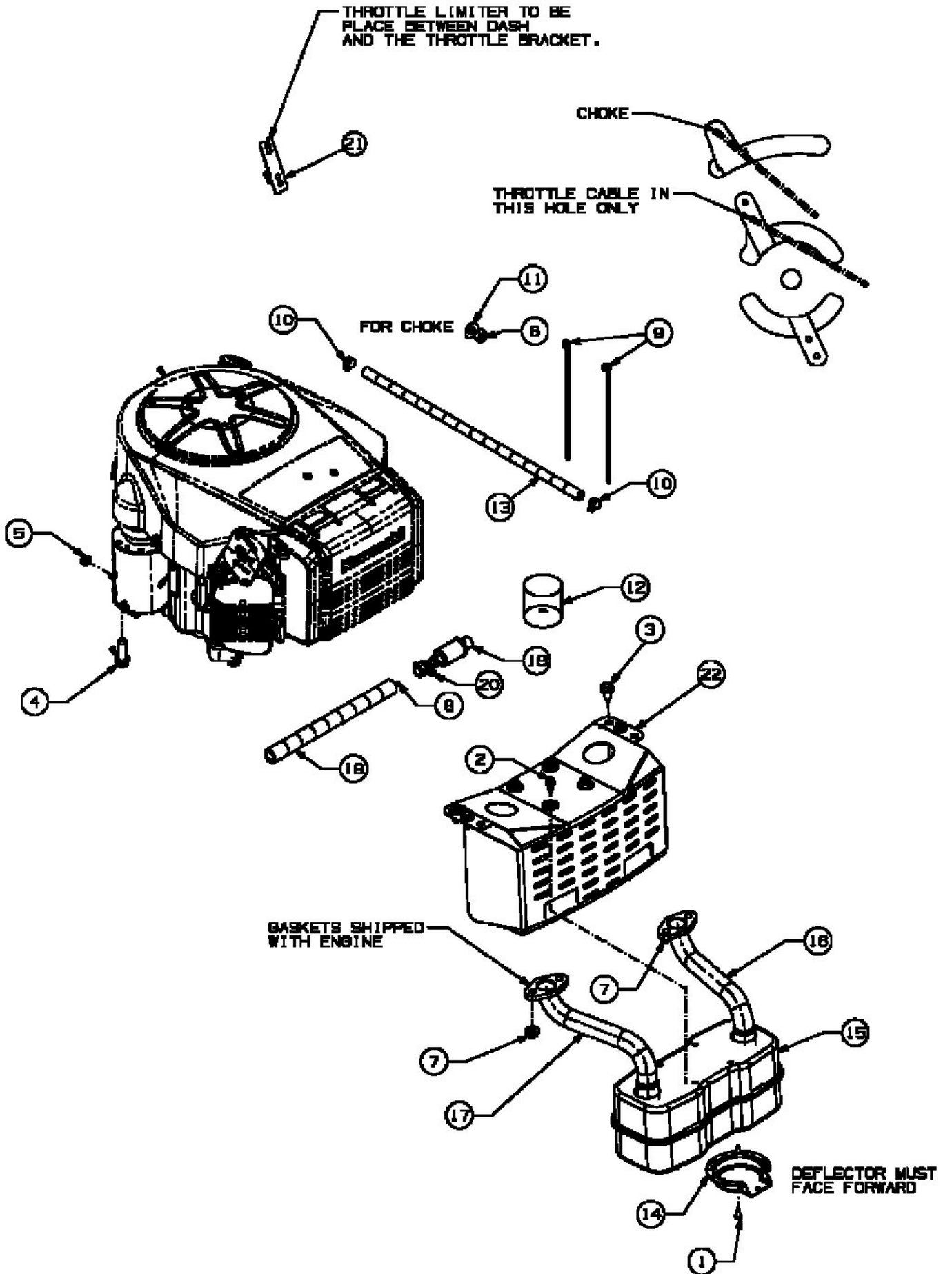
CHOKE

THROTTLE CABLE IN  
THIS HOLE ONLY

FOR CHOKE

GASKETS SHIPPED  
WITH ENGINE

DEFLECTOR MUST  
FACE FORWARD



E3-02910A-01