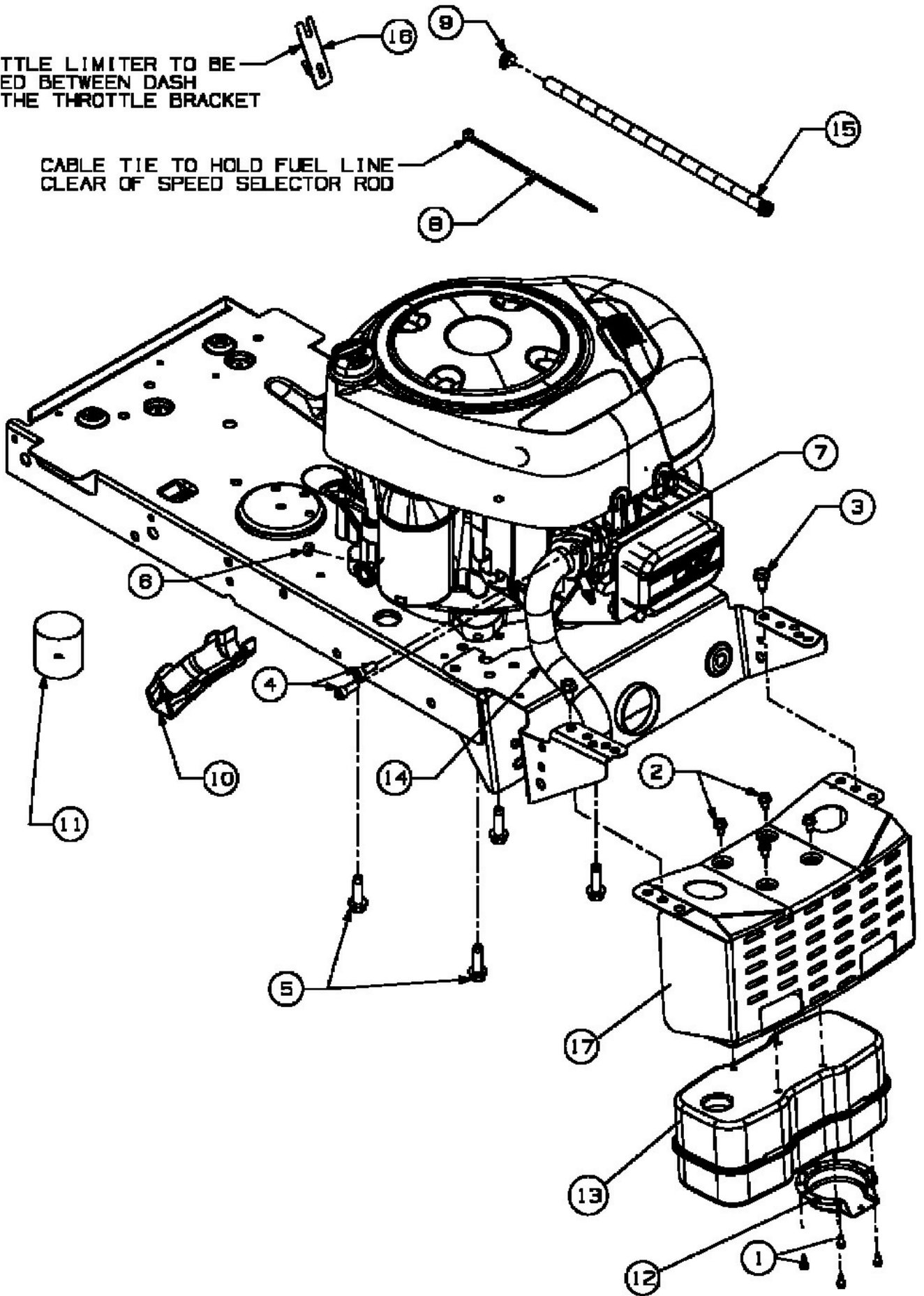


THROTTLE LIMITER TO BE  
PLACED BETWEEN DASH  
AND THE THROTTLE BRACKET

CABLE TIE TO HOLD FUEL LINE  
CLEAR OF SPEED SELECTOR ROD



E3-03295A-01