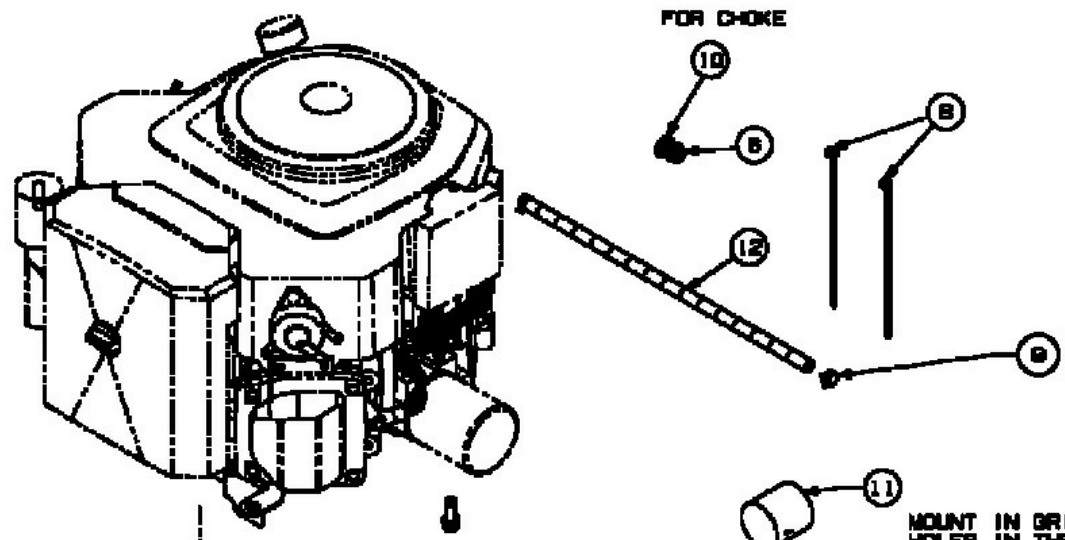


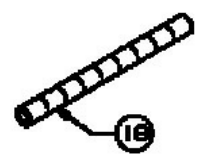
THROTTLE LIMITER TO BE
PLACE BETWEEN DASH
AND THE THROTTLE BRACKET.

FOR CHOKE

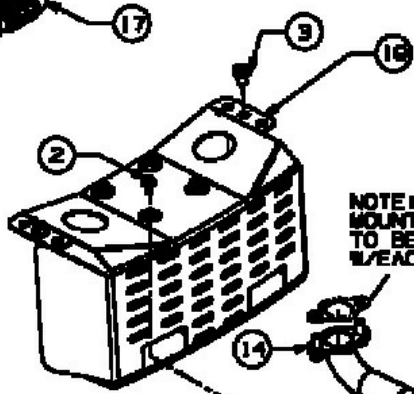
20



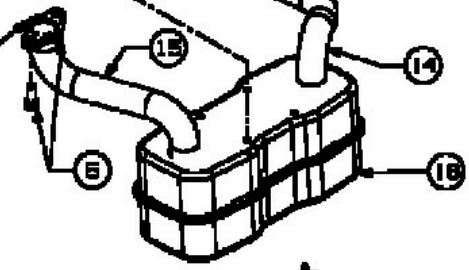
MOUNT IN GRILLE MOUNTING
HOLES IN THE PIVOT BRKT.



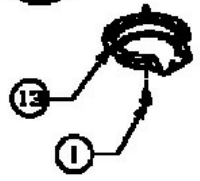
NOTE: EXHAUST GASKET,
MOUNTING NUTS AND STARTER NUT
TO BE SUPPLIED BY KOHLER BULK
W/EACH ENGINE SHIPMENT



NOTE: EXHAUST GASKET,
AND STARTER NUT TO BE
SUPPLIED BY KOHLER BULK
W/EACH ENGINE SHIPMENT



DEFLECTOR MUST
FACE FORWARD



E3-03409A-01