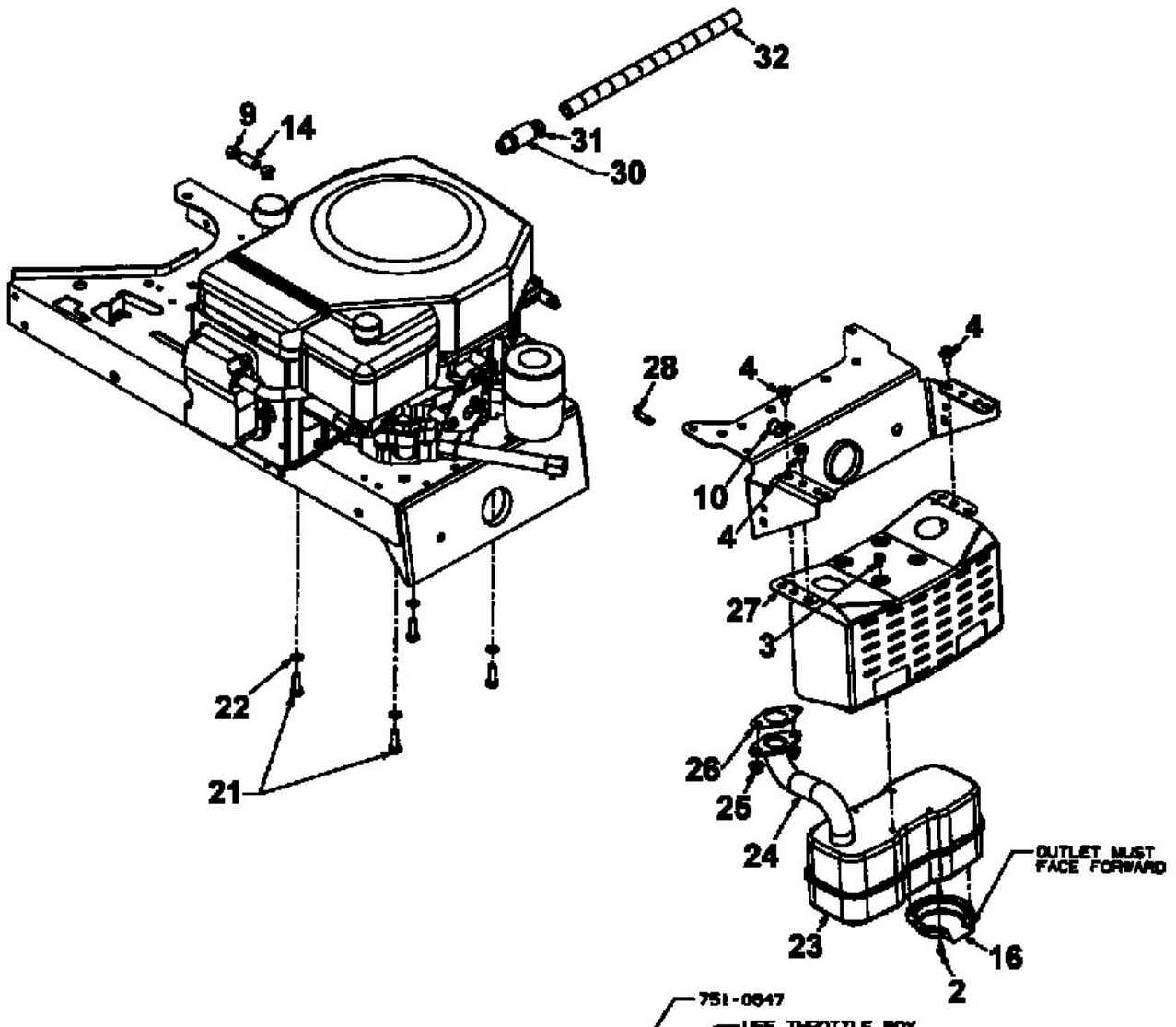
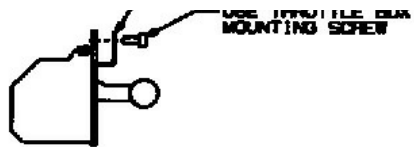


**KOHLER**





USE APPROPRIATE DIA

MOUNTING SCREW