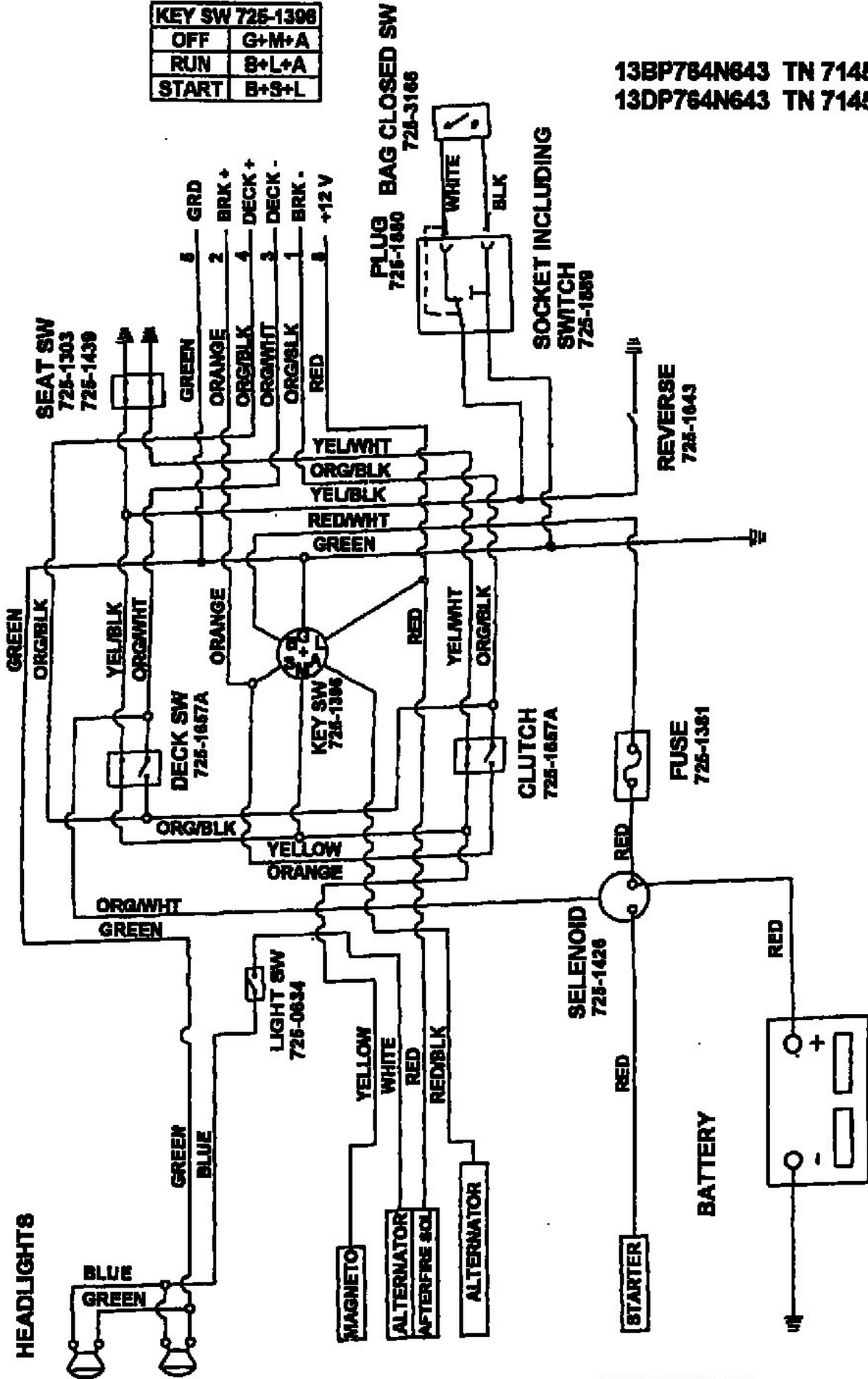


MAIN HARNESS
629-03178

KEY SW 725-1306	
OFF	G+M+A
RUN	B+L+A
START	B+S+L

13BP764N643 TN 7145
13DP764N643 TN 7145



SCHEM:ELEC:
700: without PTO INTEK:LT SW

813-07400

E4-00831A