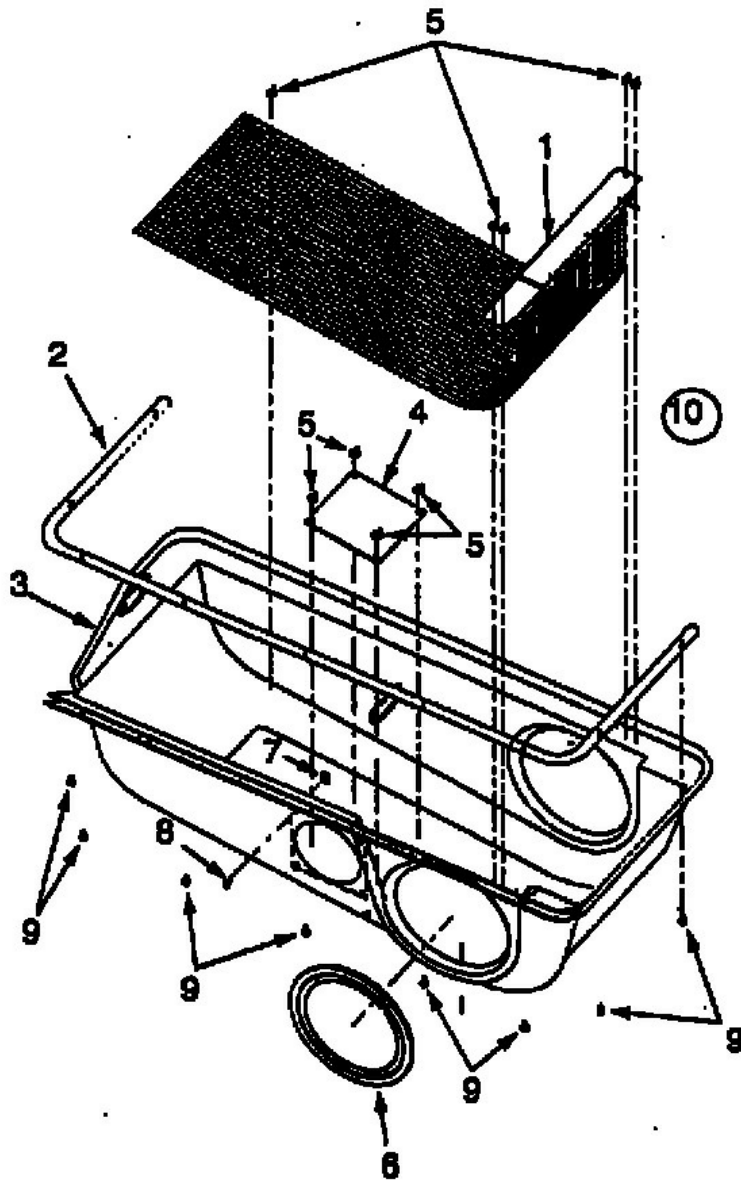


Model 065

196-065-678

Grass Catcher Cover Assembly



E4-01016A