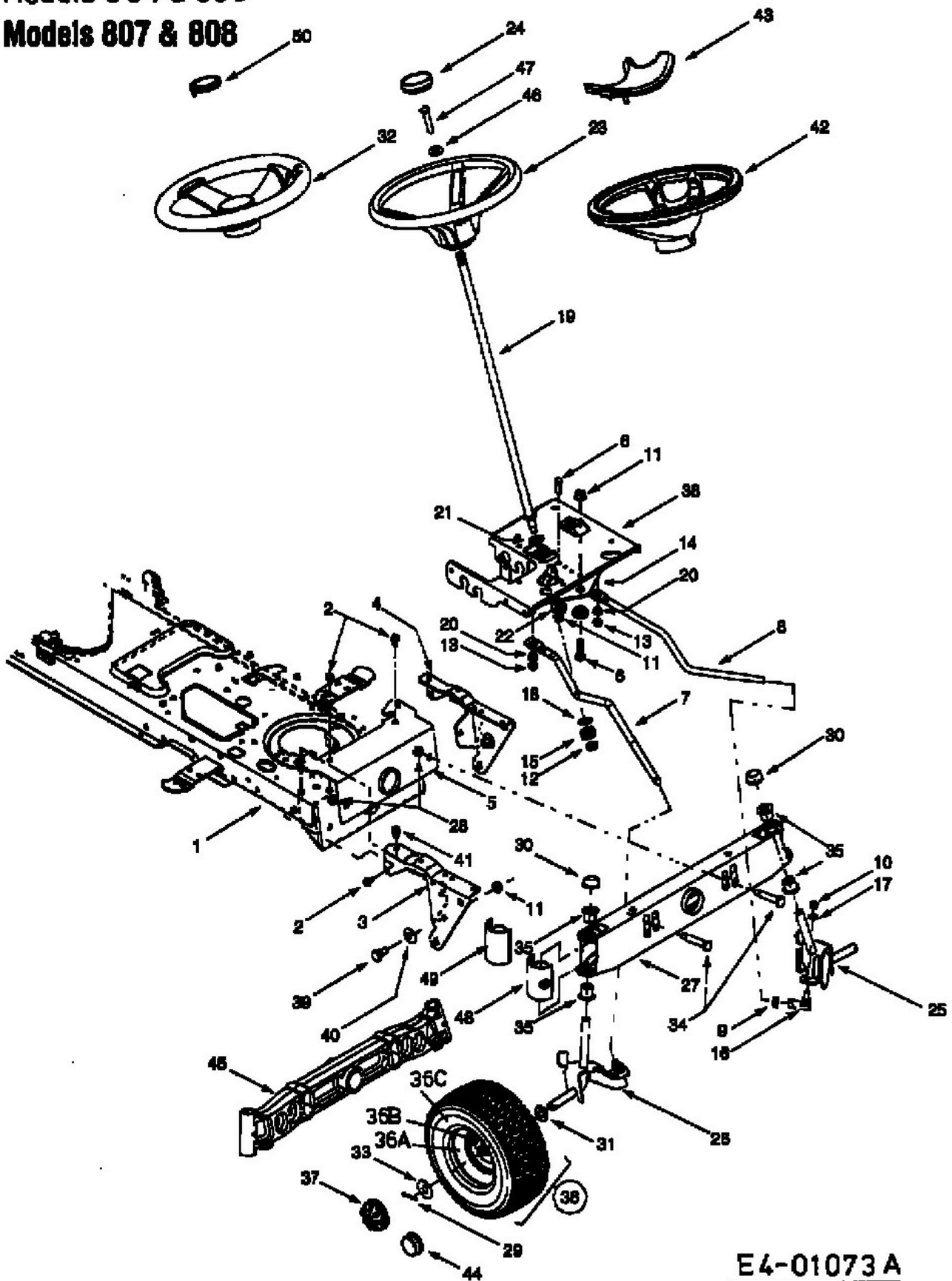


Models 804 & 806
Models 807 & 808



E4-01073 A