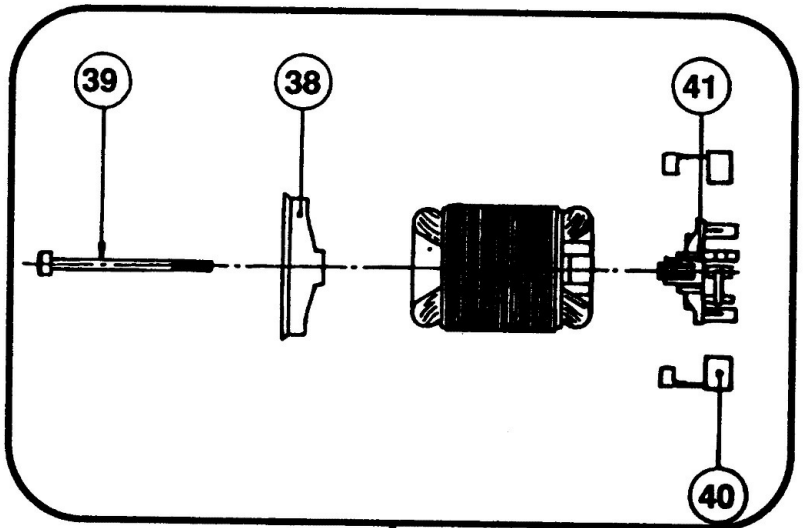
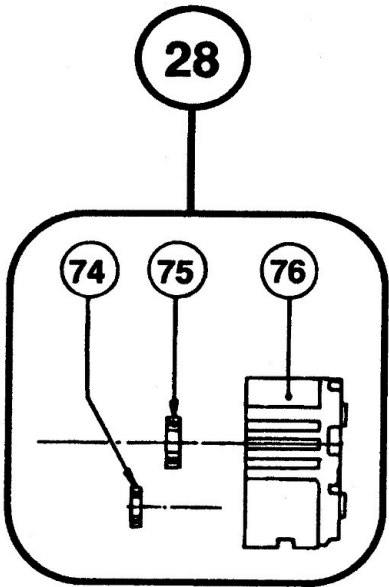
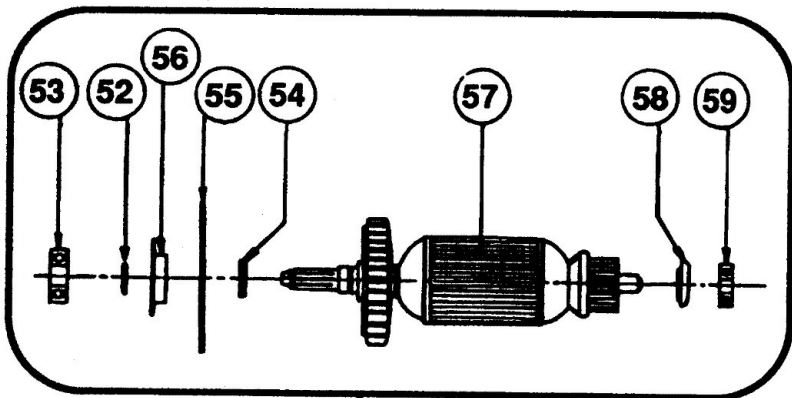


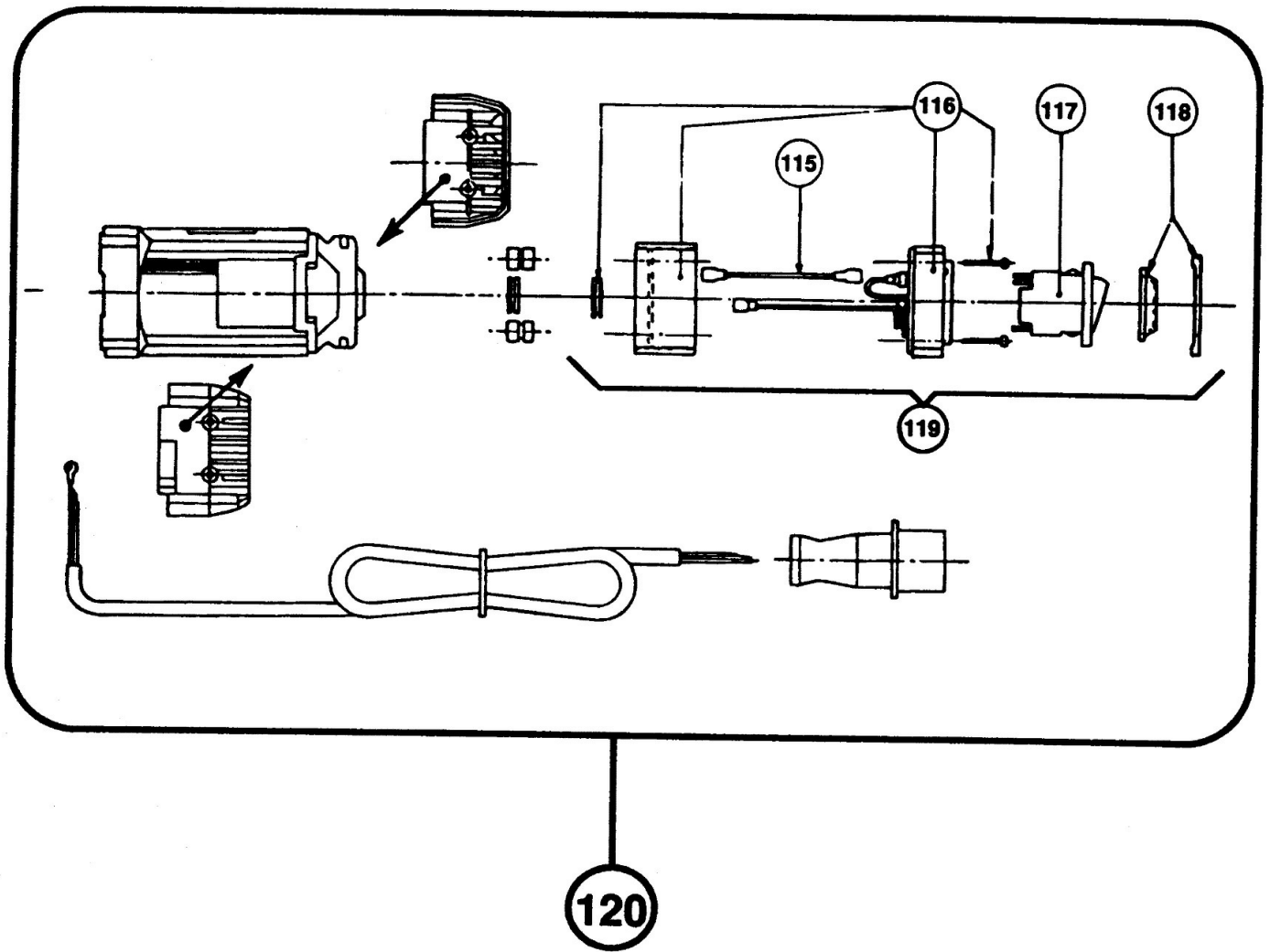
17



37



51



T.O.C.= THERMAL OVERLOAD CONTROL